



**FAMCO**

# WALL VENTS

---

## FAMCO PLASTIC WALL VENTS: EXHAUST – LH\_\_



- Made of narrow molecular weight Polyethylene with a brittleness temperature of -99F. It has ultraviolet/antioxidant additives for resistance and color fastness, thus the life of plastic will outlast most roofing materials.
- Extra heavy borders for secure and durable mounting.
- Full 1” collar for secure pipe attachment.
- Available without collar for direct mount to masonry.
- Available colors are White or Brown.

PLASTIC WALL VENTS LH	
WHITE	BROWN
LH4WH	LH4BR
LH6WH	LH6BR
LH8WH	LH8BR

FOR SPECS SEE PAGE 2

PLASTIC WALL VENTS LH	
WHITE	BROWN
LH3WH	LH3BR
LH5WH	LH5BR
LH7WH	LH7BR

FOR SPECS SEE PAGE 3



**FRESH AIR MANUFACTURING CO.**  
*Technologies in Ventilation*

649 N. Ralstin St., Meridian, ID 83642 \* (208)884-8931 \* (800)-234-1903 \* FAX: (208)884-8943

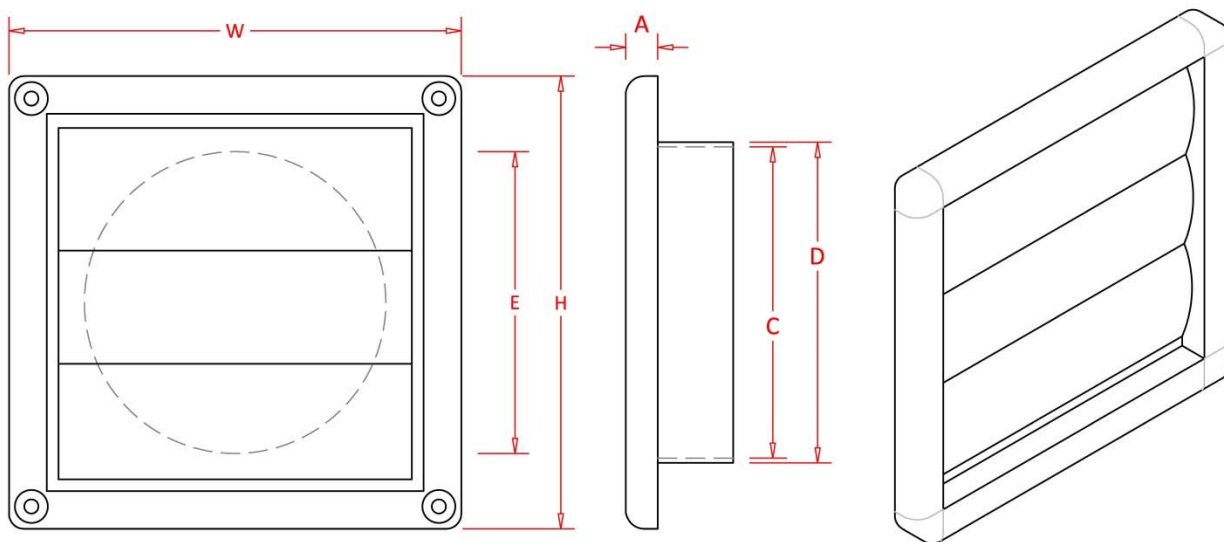


**FAMCO**

# WALL VENTS

## FAMCO PLASTIC WALL VENTS: EXHAUST – LH\_\_

PLASTIC WALL VENTS LH	
WHITE	BROWN
LH4WH	LH4BR
LH6WH	LH6BR
LH8WH	LH8BR



FAMCO LH PRODUCTS								
ITEM #	SIZE (IN)	A	C	D	E	W/H	LOUVERS	FREE AREA IN <sup>2</sup>
LH4	4	$\frac{7}{16}$	$4\frac{1}{8}$	$4\frac{1}{4}$	4	6	3	12.57
LH6	6	$\frac{7}{16}$	$6\frac{1}{8}$	$6\frac{1}{4}$	6	$8\frac{1}{8}$	3	28.27
LH8	8	$\frac{5}{8}$	$7\frac{3}{4}$	$7\frac{7}{8}$	$7\frac{3}{4}$	10	5	50.26



**FRESH AIR MANUFACTURING CO.**  
Technologies in Ventilation

649 N. Ralstin St., Meridian, ID 83642 \* (208)884-8931 \* (800)-234-1903 \* FAX: (208)884-8943

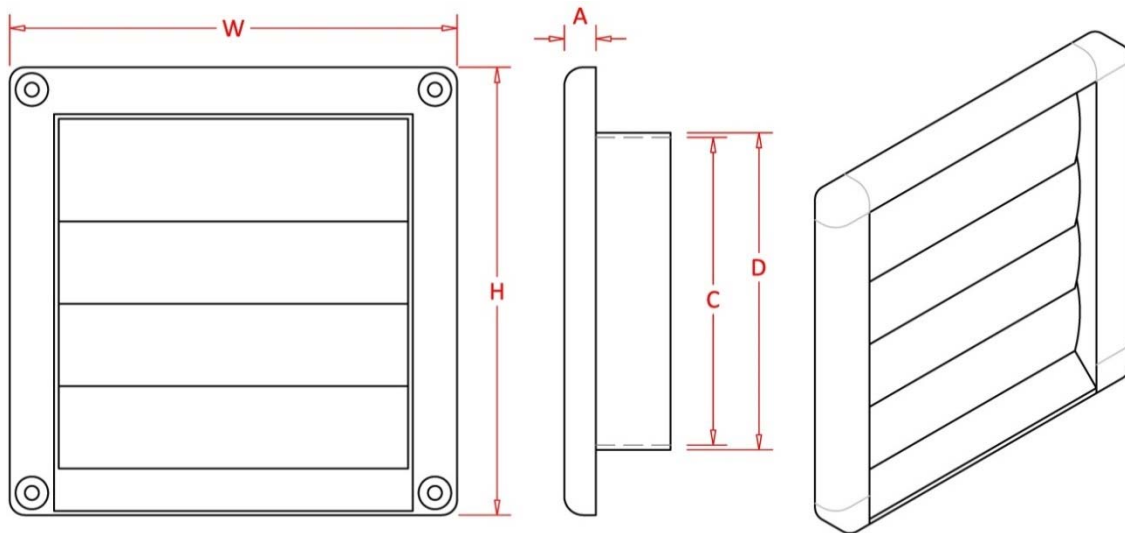


**FAMCO**

# WALL VENTS

## FAMCO PLASTIC WALL VENTS: EXHAUST – LH\_\_

PLASTIC WALL VENTS LH	
WHITE	BROWN
LH3WH	LH3BR
LH5WH	LH5BR
LH7WH	LH7BR



OTHER LH PRODUCTS							
ITEM #	SIZE (IN)	A	C	D	W/H	LOUVERS	FREE AREA IN <sup>2</sup>
LH3	3	$\frac{3}{4}$	$2 \frac{5}{8}$	$2 \frac{7}{8}$	6	4	5.41
LH5	5	$\frac{3}{4}$	$4 \frac{5}{8}$	$4 \frac{7}{8}$	9	5	16.80
LH7	7	$\frac{3}{4}$	$6 \frac{5}{8}$	$6 \frac{7}{8}$	9	5	34.47



**FRESH AIR MANUFACTURING CO.**  
Technologies in Ventilation

649 N. Ralstin St., Meridian, ID 83642 \* (208)884-8931 \* (800)-234-1903 \* FAX: (208)884-8943

