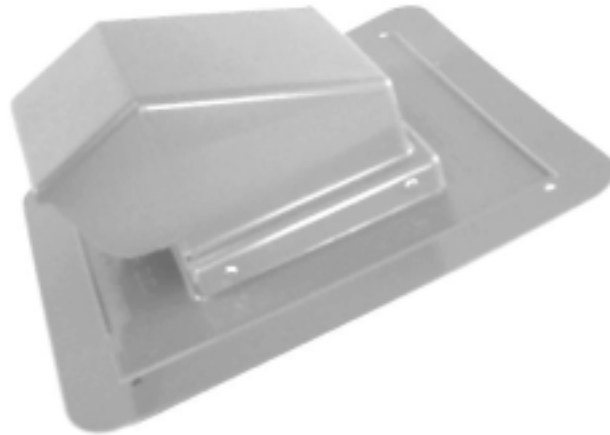


BATH VENT / w damper



- Made of long life Polyethylene plastic for weatherability in all climate conditions.
- Ultraviolet resistant and color fast.
- Will outlast most roofing materials and metal vents.
- Back draft damper installed in all units.
- Available in 5 colors - Med. Brown, Black, Gray, Wood Gray and Dark Brown.
- Bird screen installed.
- Most models available with bottom extensions for hard connect applications.



FRESH AIR MANUFACTURING CO.

Technologies in Ventilation

649 N. Ralstin St., Meridian, Idaho 83642 (208)884-8931 1-800-234-1903 FAX (208)884-8943

BATH VENT w/ damper



OPTIONS:

5 Colors [see other side of this sheet]

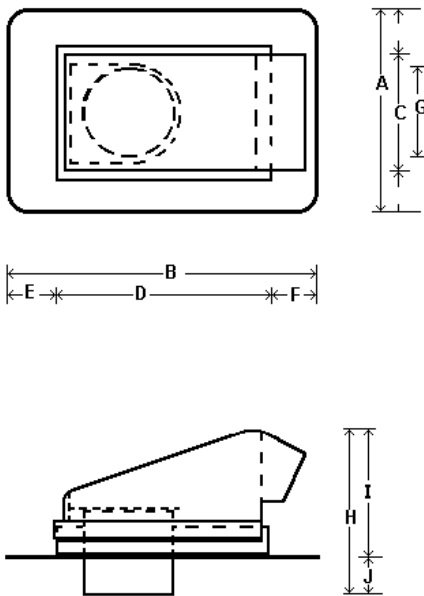
3 Sizes [4", 5" and 6"]

4" & 6" Available with or without bottom extension

**[Bottom extension (or stem) is for hard connect applications]



All FAMCO plastic products are made of Polyethylene Copolymers (PE). PE is one of the most versatile and widely used plastics available. Outdoor integrity is maintained in all of our plastic products by the addition of UV stabilizers which protect the material from deterioration by sunlight. Our colors are added during the manufacturing process to prevent fading.



Plastic Bath Vents			
	BVD 4	BVD 5	BVD 6
A	11.0	13.0	13.0
B	12.5	14.5	14.5
C	5.0	7.0	7.0
D	7.5	10.0	10.0
E	3.5	3.5	3.5
F	3.5	3.5	3.5
G	3.88	4.88	5.88
H	8.0	8.0	8.0
I	3.25	3.25	3.25
J	4.75	4.75	4.75



FRESH AIR MANUFACTURING CO.

Technologies in Ventilation