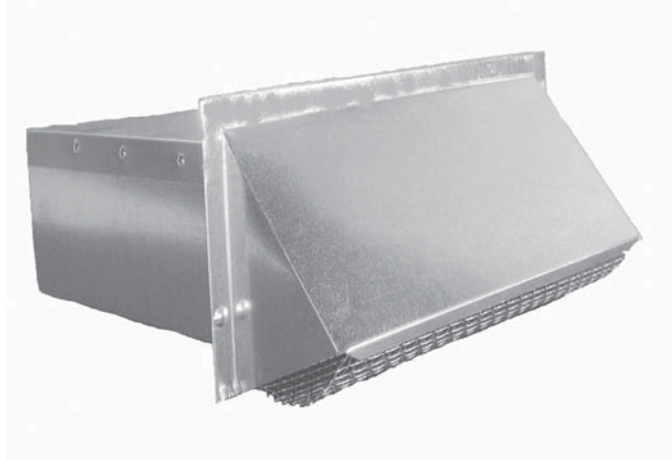


# RECTANGULAR WALL VENT

---



## POPULAR 3 1/4" X 10" DESIGN FOR KITCHEN RANGE AND OTHER VENTING USES

- ◆ Available with or without 1/4" screen.
- ◆ Available in galvanized, aluminum or painted steel (brown or white).
- ◆ Large hood and damper allow for unrestricted air flow.



---

***FRESH AIR MANUFACTURING CO.***

*Technologies in Ventilation*

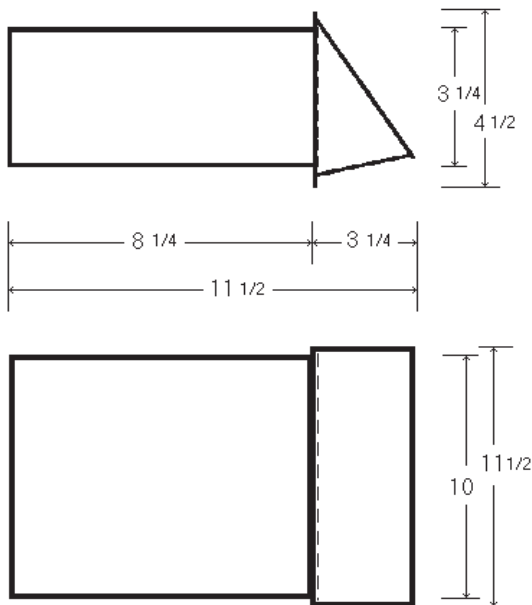
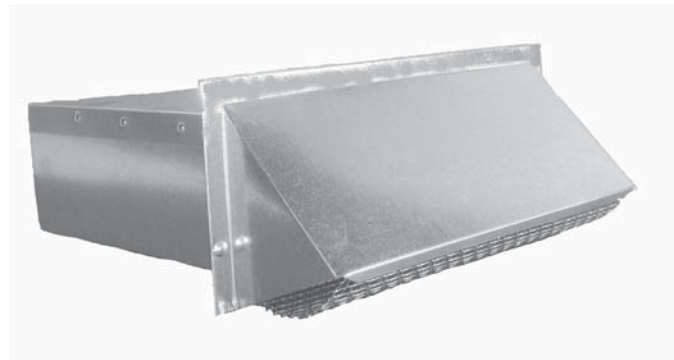
649 N. Ralstin St., Meridian, ID 83642 \* (208)884-8931 \* 800-234-1903 \* FAX: (208)884-8943

# RECTANGULAR WALL VENT



## OPTION:

- ◆ With or without screen
- ◆ Special materials available.  
(i.e., stainless steel, copper, etc.)



| RECTANGULAR WALL VENT |              |                |
|-----------------------|--------------|----------------|
| Materials             | with Screen  | without Screen |
| Galvanized            | RWCS 310     | RWC 310        |
| Aluminum              | RWCAS 310    | RWCA 310       |
| Painted Brown         | RWCPS 310 BR | RWCP 310 BR    |
| Painted White         | RWCPS 310 WH | RWCP 310 WH    |

