

# ROOF VENTS

---



## SADDLE BASE ROUND VENT- SB\_\_



SADDLE BASE	
ITEM #	SIZE
SB4	4
SB6	6
SB8	8
SB10	10
SB12	12
SB14	14
SB16	16
SB18	18
SB20	20
SB22	22
SB24	24

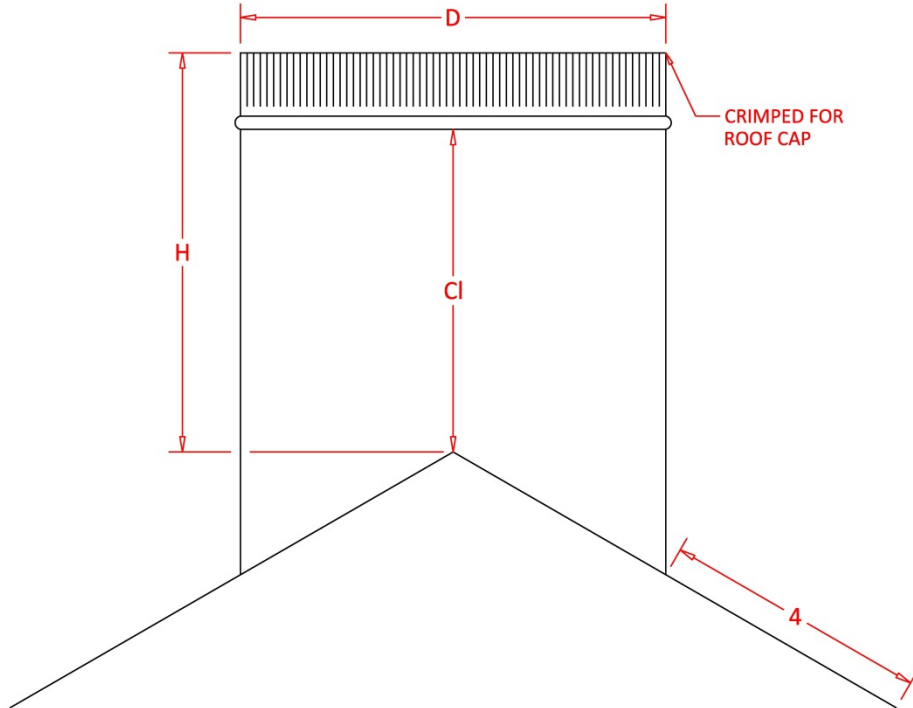
- Adjustable flange from 1/12- 24/12 pitched roof
- Straddles the peak of the roof
- Crimped top for chimney cap or roof vent
- Weatherproof construction
- Made of heavy gauge galvanized steel.



# ROOF VENTS



## SADDLE BASE ROUND VENT- SB\_\_



SADDLE BASES (PITCH RANGES $\frac{1}{12}$ - $2\frac{2}{12}$ )					
ITEM #- PITCH	SIZE	D	H	Cl	FREE AREA IN <sup>2</sup>
SB4- $\frac{1}{12}$	4	4	5 $\frac{1}{2}$	4	7.07
SB6- $\frac{1}{12}$	6	6	7 $\frac{1}{2}$	6	12.57
SB8- $\frac{1}{12}$	8	8	7 $\frac{1}{2}$	6	19.63
SB10- $\frac{1}{12}$	10	10	9 $\frac{3}{4}$	8	28.27
SB12- $\frac{1}{12}$	12	12	9 $\frac{3}{4}$	8	38.48
SB14- $\frac{1}{12}$	14	14	9 $\frac{3}{4}$	8	50.26
SB16- $\frac{1}{12}$	16	16	9 $\frac{3}{4}$	8	63.62
SB18- $\frac{1}{12}$	18	18	9 $\frac{3}{4}$	8	78.54
SB20- $\frac{1}{12}$	20	20	11 $\frac{3}{4}$	10	113.10
SB22- $\frac{1}{12}$	22	22	11 $\frac{3}{4}$	10	153.94
SB24- $\frac{1}{12}$	24	24	11 $\frac{3}{4}$	10	201.06

