



FAMCO

WALL VENTS

BIG MOUTH HOOD DESIGN WALL VENT - WVEB__



GALVANIZED		ALUMINUM		BLACK		BROWN		WHITE	
ITEM #	SIZE	ITEM #	SIZE	ITEM #	SIZE	ITEM #	SIZE	ITEM #	SIZE
WVEB3	3	WVEB3A	3	WVEB3BK	3	WVEB3BR	3	WVEB3WH	3
WVEB4	4	WVEB4A	4	WVEB4BK	4	WVEB4BR	4	WVEB4WH	4
WVEB5	5	WVEB5A	5	WVEB5BK	5	WVEB5BR	5	WVEB5WH	5
WVEB6	6	WVEB6A	6	WVEB6BK	6	WVEB6BR	6	WVEB6WH	6
WVEB7	7	WVEB7A	7	WVEB7BK	7	WVEB7BR	7	WVEB7WH	7
WVEB8	8	WVEB8A	8	WVEB8BK	8	WVEB8BR	8	WVEB8WH	8
WVEB10	10	WVEB10A	10	WVEB10BK	10	WVEB10BR	10	WVEB10WH	10

- Less restriction to air flow.
- Dampers equipped with light spring and gasket.
- ¼" removable screen available.
- Galvanized, Aluminum, or painted Black, Brown or White.



FRESH AIR MANUFACTURING CO.
Technologies in Ventilation

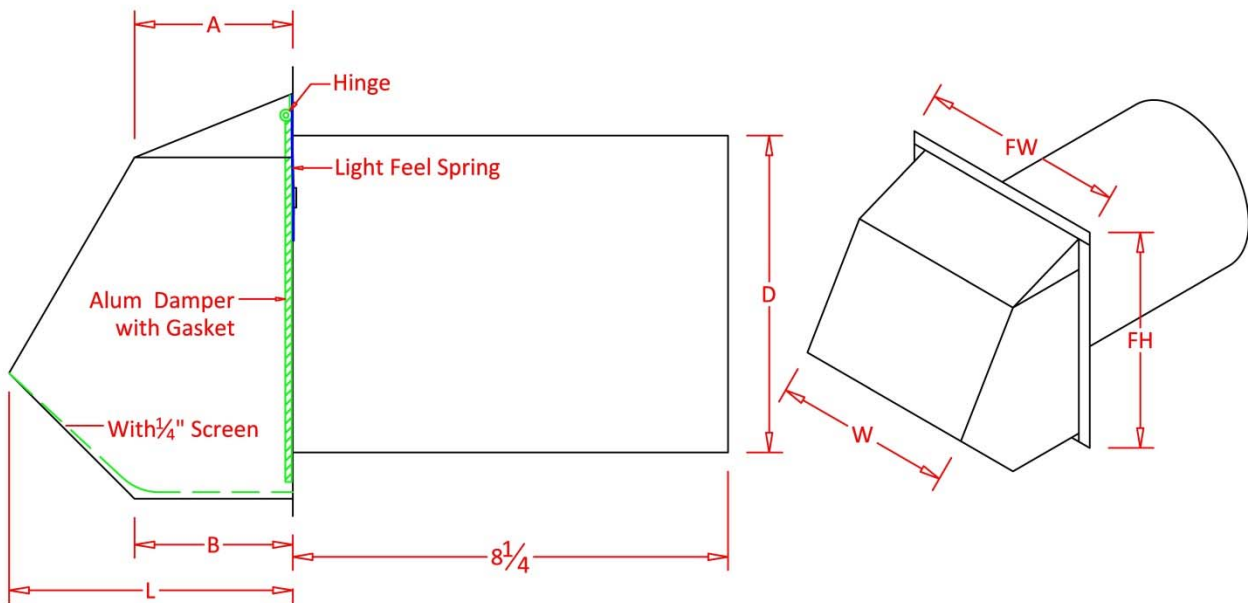
649 N. Ralstin St., Meridian, ID 83642 * (208)884-8931 * (800)-234-1903 * FAX: (208)884-8943



FAMCO

WALL VENTS

BIG MOUTH HOOD DESIGN WALL VENT - WVEB__



ITEM #	D	A	B	L	W	FW	FH
WVEB3__	3	2 1/4	2 1/4	4 1/8	4 7/8	6	6 1/2
WVEB4__	4	2 1/4	2 1/4	4 1/8	4 7/8	6	6 1/2
WVEB5__	5	3	3	5 3/8	6 7/8	8	8 1/2
WVEB6__	6	3	3	5 3/8	6 7/8	8	8 1/2
WVEB7__	7	3	4 7/16	6 11/16	8 7/8	10	10 1/2
WVEB8__	8	3	4 7/16	6 11/16	8 7/8	10	10 1/2
WVEB10__	10	2 7/8	4 3/16	6 11/16	11 7/8	13	13 1/2

- Less restriction to air flow.
- Dampers equipped with light spring and gasket.
- 1/4" removable screen available.
- Galvanized, Aluminum, or painted Black, Brown or White.



FRESH AIR MANUFACTURING CO.
Technologies in Ventilation

649 N. Ralstin St., Meridian, ID 83642 * (208)884-8931 * (800)-234-1903 * FAX: (208)884-8943