

CHIMNEY CAPS



SQUARE TILE CAP ADAPTOR- ATA__



ATA			
ITEM #	SIZE	GALVANIZED	STAINLESS
ATA88_	8 x 8	ATA88	ATA88SS
ARA812_	8 x 12	ATA812	ATA812SS
ARA1212_	12 x 12	ATA1212	ATA1212SS
ATA1216_	12 x 16	ATA1216	ATA1216SS
ATA1616_	16 x 16	ATA1616	ATA1616SS

- Available in galvanized and stainless steel
- Custom sizes available
- Equipped with draw bolts for easy installation
- Crimped for easy installation of chimney cap or roof vent



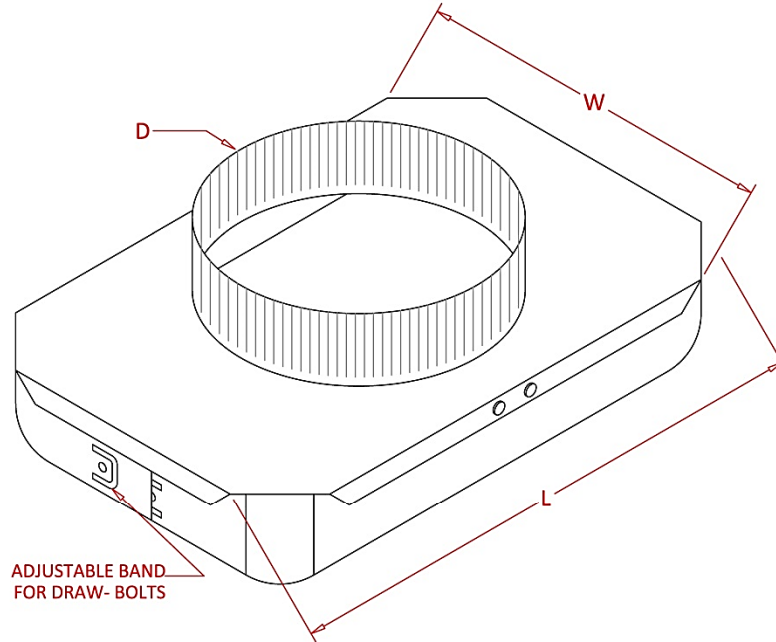
FRESH AIR MANUFACTURING CO.
Technologies in Ventilation

649 N. Ralstin St., Meridian, ID 83642 * (208)884-8931 * (800)-234-1903 * FAX: (208)884-8943

CHIMNEY CAPS



SQUARE TILE CAP ADAPTOR- ATA__



SQUARE TILE CAP ADAPTER					
ITEM #	SIZE	D	HEIGHT	W	L
ATA88_	8 X 8	8,6	3 ½	8	8
ATA812_	8x12	8,6	3 ½	12	12
ATA1212_	12 X 12	12,10,8	3 ½	12	12
ATA1216_	12 X 16	12,10,8	3 ½	12	16
ATA1616_	16 X 16	16,14,12	3 ½	16	16

NOTE FOR CUSTOM FITTING

Tile sizes are different from place to place and manufacturer to manufacturer. We can guarantee the fitting if we have the exact measurements of the tile. We will need the width and length of the tile, (W,L) and a measurement of the perimeter (measurement of the distance all around the tile taken with a thin measuring tape) so we can calculate the corner radius.



FRESH AIR MANUFACTURING CO.
Technologies in Ventilation

649 N. Ralstin St., Meridian, ID 83642 * (208)884-8931 * (800)-234-1903 * FAX: (208)884-8943