

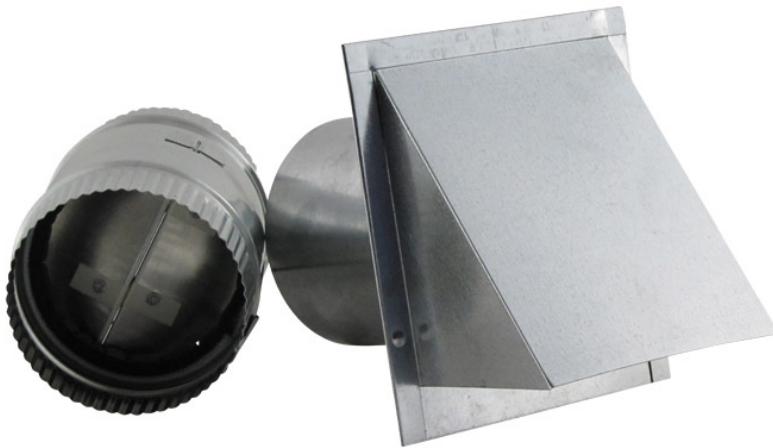
# WALL VENTS

---



## HOODED WALL VENT WITH SCREEN AND REVERSIBLE DAMPER- RDWV

---



RDWV	
ITEM #	SIZE
RDWV4	4
RDWV5	5
RDWV6	6
RDWV7	7
RDWV8	8
RDWV10	10
RDWV12	12

- Positive seal back draft damper with reversible flow direction
- Economical solution for air balance
- Provides supplemental combustion air intake
- Ideal for spot ventilation needs
- Insect screen installed
- Quality construction in galvanized or aluminum

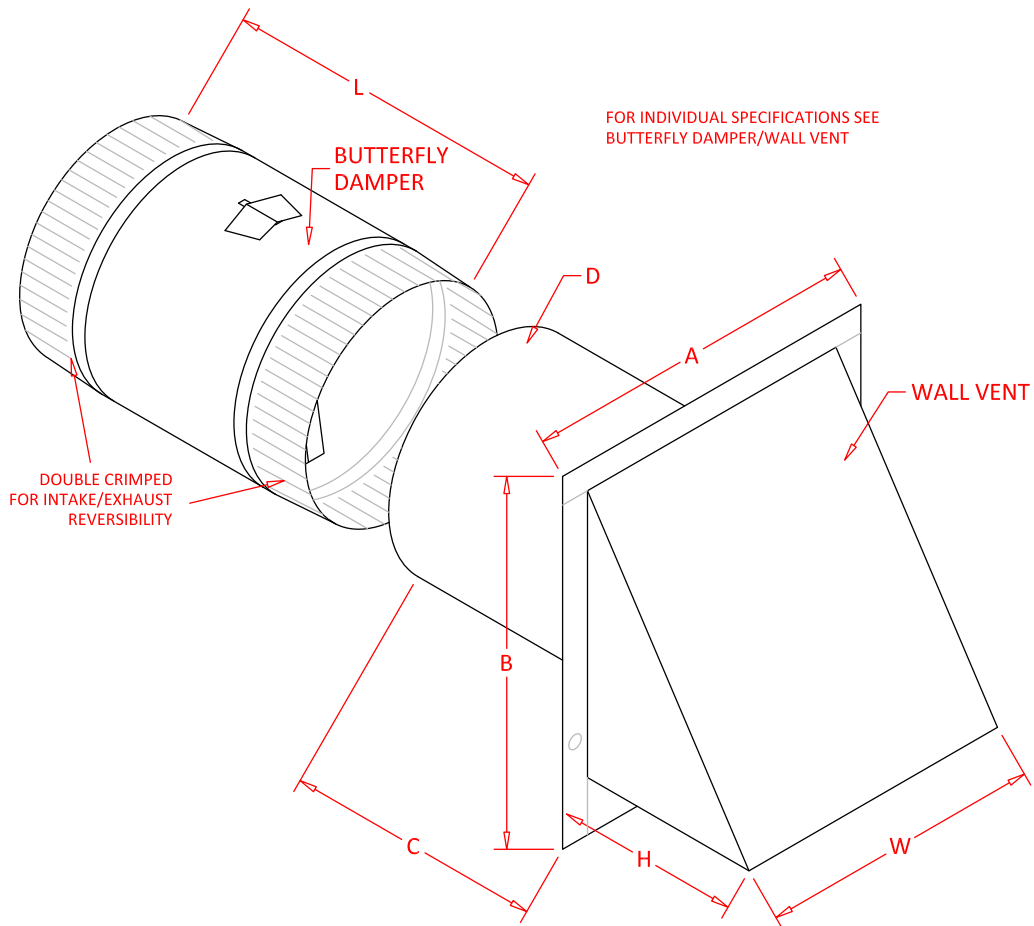




**FAMCO**

# WALL VENTS

## HOODED WALL VENT WITH SCREEN AND REVERSIBLE DAMPER- RDWV



WALL VENT WITH BUTTERFLY DAMPER								
ITEM #	SIZE	A	B	C	D	H	W	L
RDWV4	4	6	6 <sup>7</sup> / <sub>16</sub>	4 1/2	4	3 1/4	5	6
RDWV5	5	7	7 <sup>7</sup> / <sub>16</sub>	4 1/2	5	3 1/4	6	6
RDWV6	6	8	8 <sup>7</sup> / <sub>16</sub>	4 1/2	6	4 1/2	7	6
RDWV7	7	9	9 <sup>7</sup> / <sub>16</sub>	4 1/2	7	5	8	7 1/4
RDWV8	8	10	10 <sup>3</sup> / <sub>8</sub>	4 1/2	8	5 3/4	9	7 1/4
RDWV10	10	13	12 1/2	4 1/2	10	6 3/4	12	7 1/4
RDWV12	12	15	14 1/2	4 1/2	12	8	14	9



**FRESH AIR MANUFACTURING CO.**  
Technologies in Ventilation

649 N. Ralstin St., Meridian, ID 83642 \* (208)884-8931 \* (800)-234-1903 \* FAX: (208)884-8943