



FAMCO

WALL VENTS

FAMCO PLASTIC WALL VENTS: AIR INTAKE – AI__



- Made of Polypropylene plastic. It has ultraviolet/antioxidant additives for resistance and color fastness.
- Heavy duty borders for secure and durable mounting.
- Full 1” collar for secure pipe attachment.
- Available without collar for direct mount to masonry.
- Available colors are White and Brown.

| PLASTIC WALL VENTS AI | |
|-----------------------|-------|
| WHITE | BROWN |
| AI4WH | AI4BR |
| AI6WH | AI6BR |
| AI8WH | AI8BR |

| | |
|--|--|
| | |
| | |
| | |
| | |

FOR SPECS SEE PAGE 2



FRESH AIR MANUFACTURING CO.
Technologies in Ventilation

649 N. Ralstin St., Meridian, ID 83642 * (208)884-8931 * (800)-234-1903 * FAX: (208)884-8943

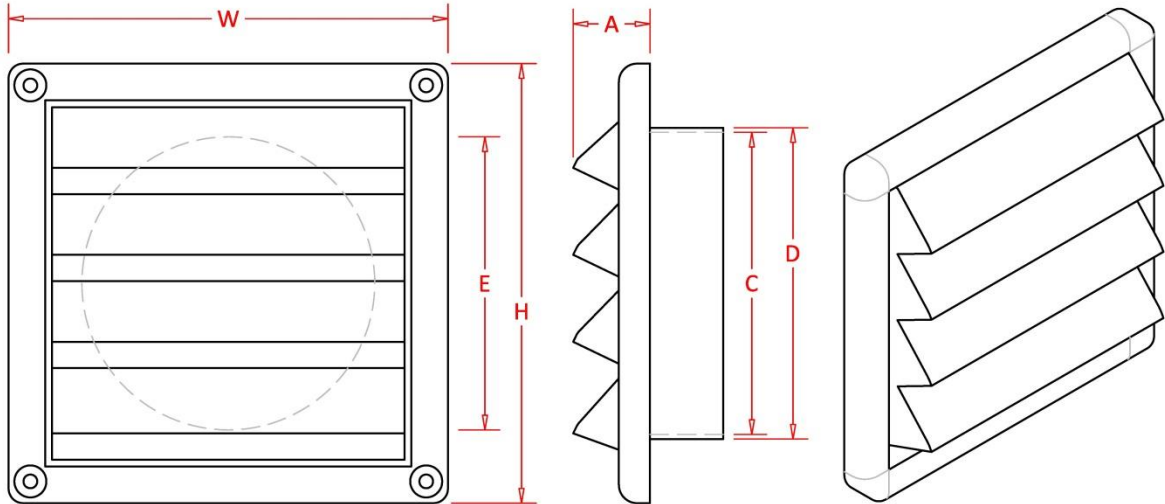


FAMCO

WALL VENTS

FAMCO PLASTIC WALL VENTS – AI__

| PLASTIC WALL VENTS AI | |
|-----------------------|-------|
| WHITE | BROWN |
| AI4WH | AI4BR |
| AI6WH | AI6BR |
| AI8WH | AI8BR |



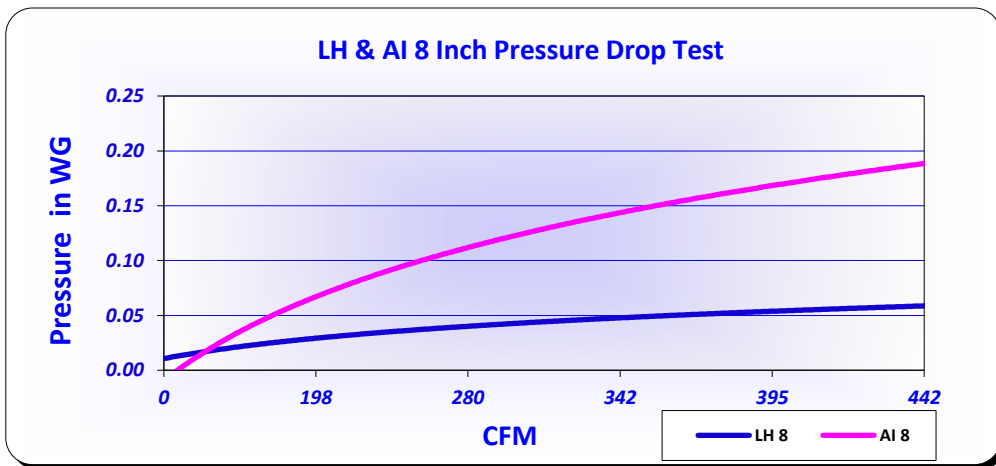
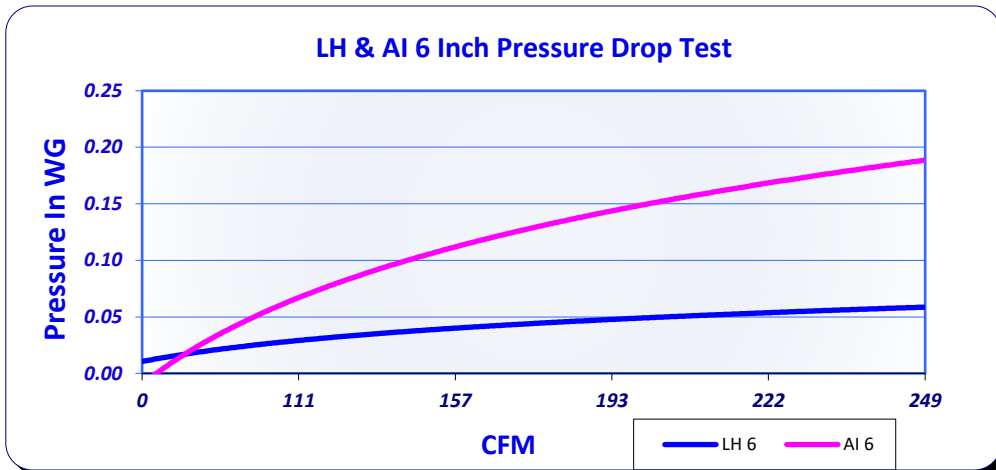
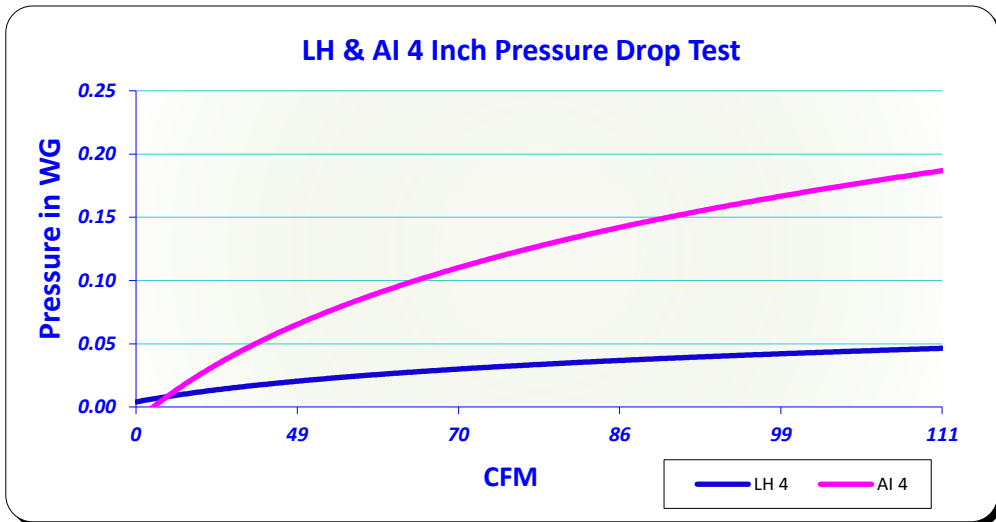
| FAMCO AI PRODUCTS | | | | | | | | |
|-------------------|-----------|--------|-------|-------|-------|-------|---------|---------------------------|
| ITEM # | SIZE (IN) | A | C | D | E | W/H | LOUVERS | FREE AREA IN ² |
| AI4 | 4 | 1 1/16 | 4 1/8 | 4 1/4 | 4 | 6 | 3 | 10.90 |
| AI6 | 6 | 1 1/8 | 6 1/8 | 6 1/4 | 6 | 8 1/8 | 3 | 19.30 |
| AI8 | 8 | 1 1/2 | 7 3/4 | 7 7/8 | 7 3/4 | 10 | 5 | 35.18 |





WALL VENTS

PLASTIC WALL VENTS



FRESH AIR MANUFACTURING CO.
Technologies in Ventilation

649 N. Ralstin St., Meridian, ID 83642 * (208)884-8931 * (800)-234-1903 * FAX: (208)884-8943