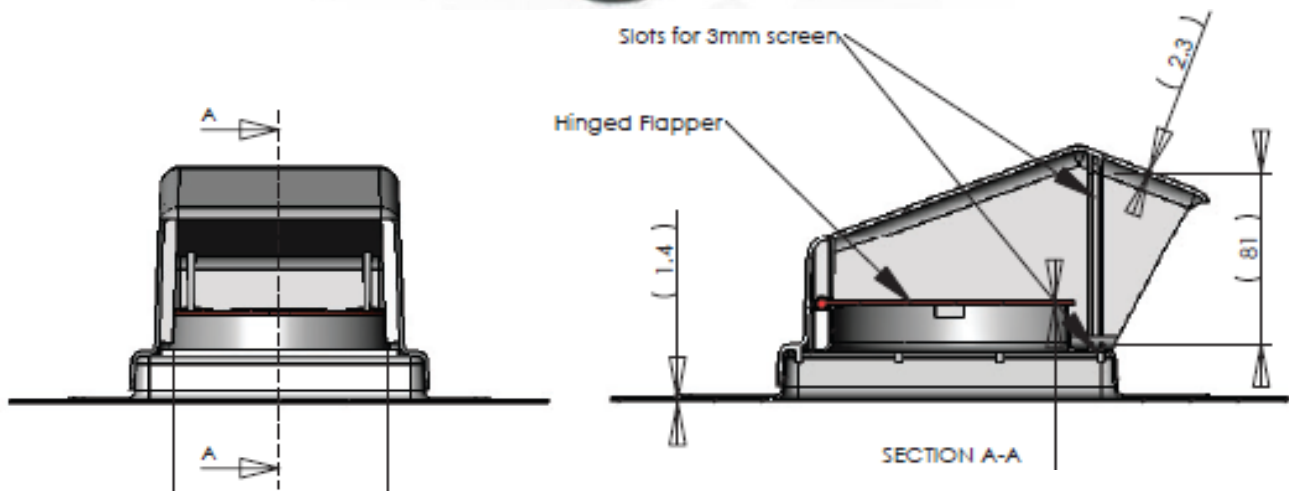




**FAMCO**

## ROOF VENTS

### PLASTIC BATHROOM/KITCHEN EXHAUST VENT - BVDS\_\_



- Made of long life narrow molecular Polyethylene with a brittleness temperature of -99F. It has ultraviolet/antioxidant additives for resistance and color fastness, thus the life of the plastic will outlast most roofing materials .
- Back draft dampers, bird screen, and bottom stem installed in all units
- Screen is removable for use as a rooftop dryer vent
- Bottom stem is removable
- Available without screen or bottom stem
- Available in Black, Dark Brown, and Wood Grey



**FRESH AIR MANUFACTURING CO.**  
*Technologies in Ventilation*

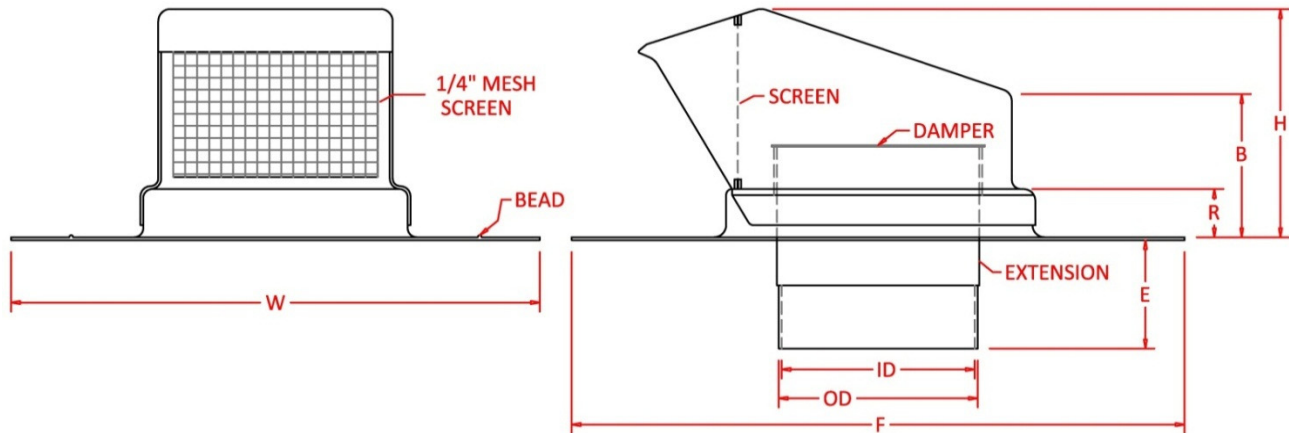
649 N. Ralstin St., Meridian, ID 83642 \* (208)884-8931 \* (800)-234-1903 \* FAX: (208)884-8943



**FAMCO**

# ROOF VENTS

## PLASTIC BATHROOM/KITCHEN EXHAUST VENT – BVDS\_\_



ITEM #	OD	ID	W	F	E	R	B	H	FREE AREA
BVDS4__	4 1/8	4	11	12 3/4	2 1/2	1	3	4 3/4	12.56
BVDS6__	6	5 7/8	12 3/4	14 1/2	3	1	3	4 3/4	28.27

- Made of long life narrow molecular Polyethylene with a brittleness temperature of -99F. It has ultraviolet/antioxidant additives for resistance and color fastness, thus the life of plastic will outlast most roofing materials .
- Back draft dampers, bird screen and bottom stem installed in all units
- Bottom stem is removable
- It can be available without screen or bottom stem
- Available in Black, Dark Brown and Wood Grey



**FRESH AIR MANUFACTURING CO.**  
Technologies in Ventilation

649 N. Ralstin St., Meridian, ID 83642 \* (208)884-8931 \* (800)-234-1903 \* FAX: (208)884-8943