

ROOF VENTS



PLASTIC ROOF VENTS - FA50



- Provides over 50 in² of free area.
- Made of long life narrow molecular Polyethylene with a brittleness temperature of -99F. It has ultraviolet/antioxidant additives for resistance and color fastness, thus the life of the plastic will outlast most roofing materials
- Standard colors are Black, Dark Brown, and Wood Grey

Item #	Color	Free Area	CTN QTY
FA50BK	Black	50	12
FA50DBR	Dark Brown	50	12
FA50WH	White	50	12



FRESH AIR MANUFACTURING CO.
Technologies in Ventilation

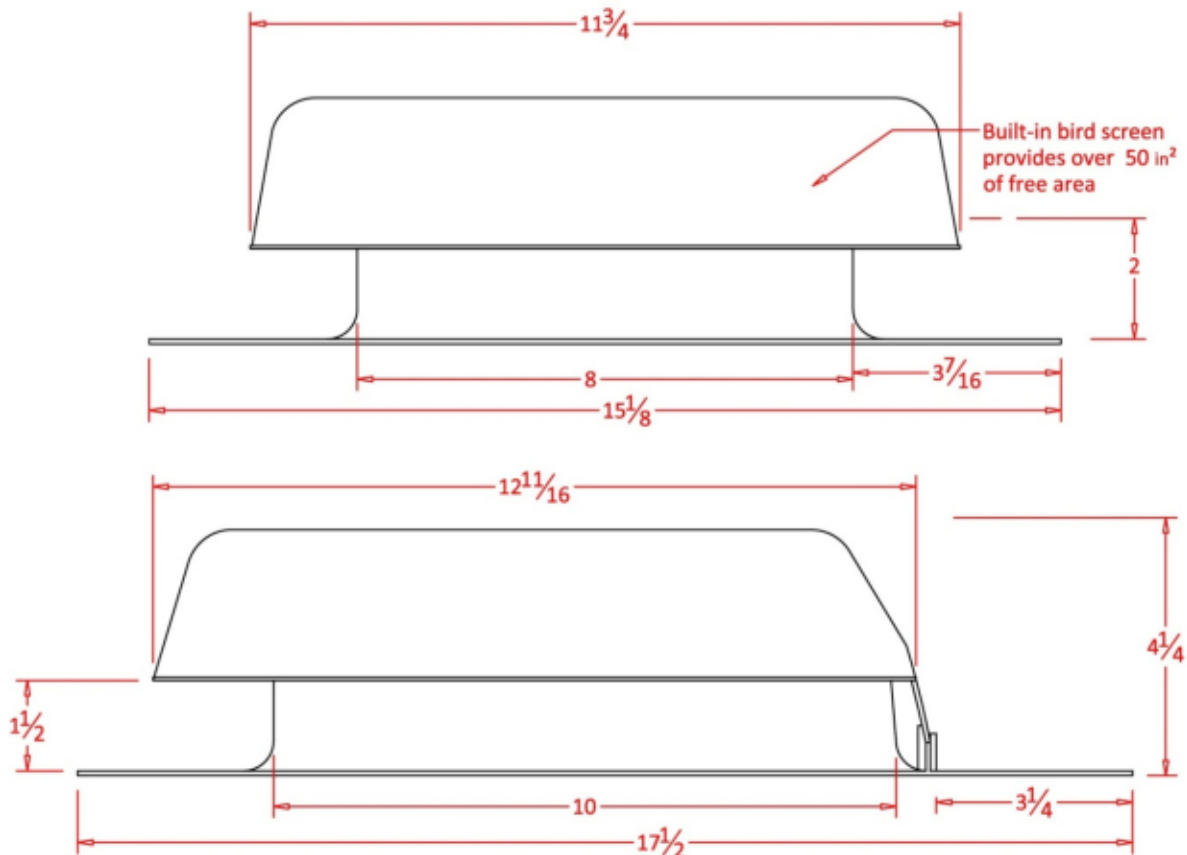
649 N. Ralstin St., Meridian, ID 83642 * (208)884-8931 * (800)-234-1903 * FAX: (208)884-8943



FAMCO

ROOF VENTS

PLASTIC ROOF VENTS - FA50



- Provides over 50 in² of free area.
- Made of long life narrow molecular Polyethylene with a brittleness temperature of -99F. It has ultraviolet/antioxidant additives for resistance and color fastness, thus the life of the plastic will outlast most roofing materials
- Available in Black, Dark Brown, and Wood Grey



FRESH AIR MANUFACTURING CO.
Technologies in Ventilation

649 N. Ralstin St., Meridian, ID 83642 * (208)884-8931 * (800)-234-1903 * FAX: (208)884-8943