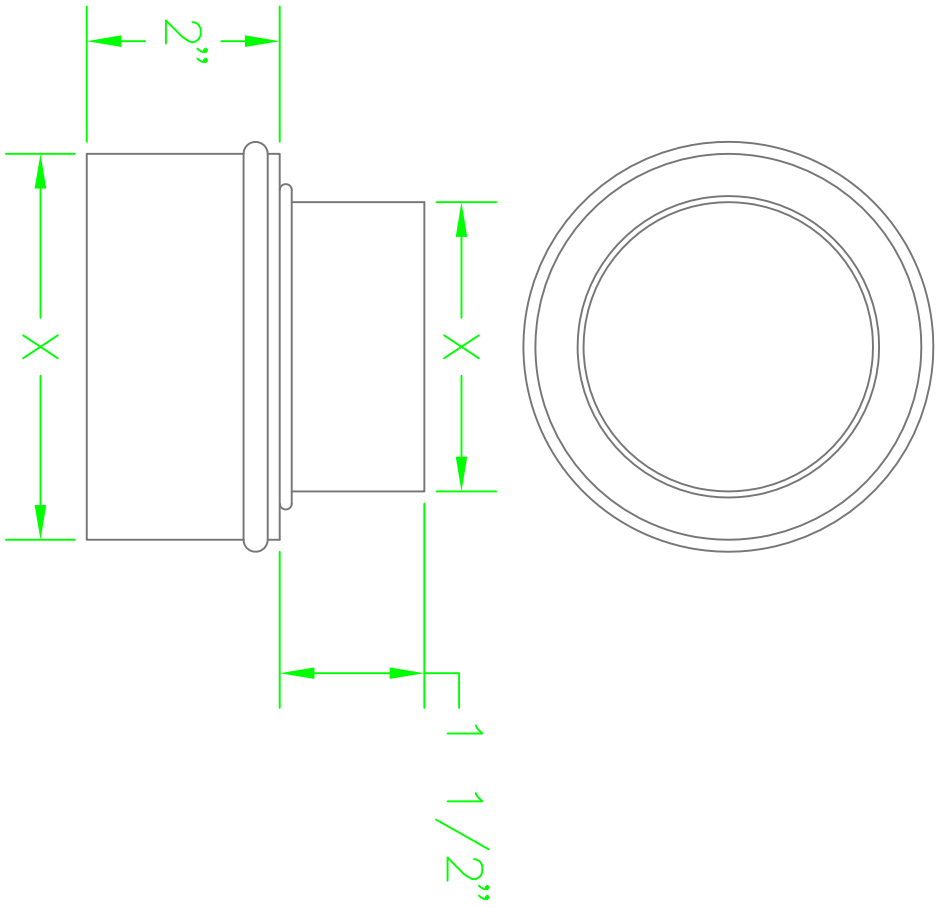


USER

REVDATE

FNAME



04/18/2012

APPROVED

MATERIAL: FS A G90 OR LFQ G90
26GA GALVANIZED

FAMCO

ALL IR'S

SIZE: A REV

MADE IN THE USA

SCALE 1:2

SHEET