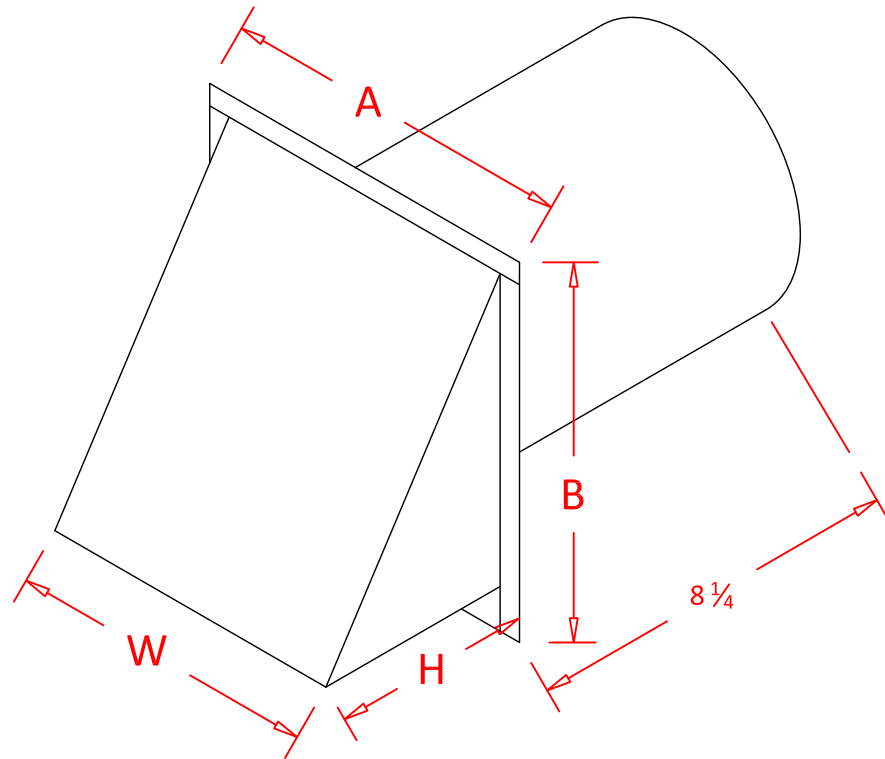




ROUND WALL VENT

VENT THROUGH THE WALL FOR INTAKE OR EXHAUST
 APPLICATIONS – DWV __ , SWV __ , SDWV __



SIZE	A	B	W	H
3	6	6 ⁷ / ₁₆	5	3 ¹ / ₄
4	6	6 ⁷ / ₁₆	5	3 ¹ / ₄
5	7	7 ⁷ / ₁₆	6	3 ³ / ₄
6	8	8 ⁷ / ₁₅	7	4 ⁷ / ₁₅
7	9	9 ⁷ / ₁₅	8	4 ¹⁵ / ₁₆
8	10	10 ³ / ₈	9	5 ⁹ / ₁₅
10	13	12 ¹ / ₂	12	6 ⁷ / ₈
12	15	14 ¹ / ₂	14	7 ¹⁵ / ₁₅
14	17 ¹ / ₂	17 ³ / ₄	16	9 ³ / ₄

- Available with or without damper.
- Available with or without screen.
- Large hood will not restrict air.
- Sizes 3" to 14".
- Galvanized, Aluminum, Painted or Copper.



FRESH AIR MANUFACTURING CO.
 Technologies in Ventilation

649 N. Ralstin St., Meridian, ID 83642 * (208)884-8931 * (800)-234-1903 * FAX: (208)884-8943