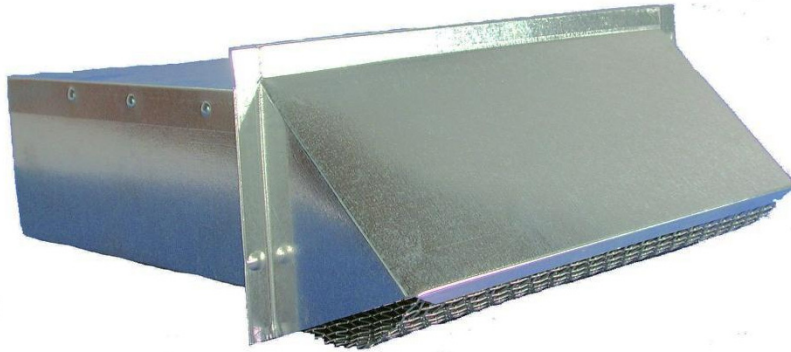




FAMCO

RECTANGULAR WALL VENT

STANDARD RECTANGULAR WALL VENT – WV310__



WITH SCREEN		WITHOUT SCREEN	
ITEM #	COLOR	ITEM #	COLOR
WV310S	GALVANIZED	WV310	GALVANIZED
WV310SA	ALUMINIUM	WV310A	ALUMINIUM
WV310SCU	COPPER	WV310CU	COPPER
WV310SBK	BLACK	WV310BK	BLACK
WV310SBR	BROWN	WV310BR	BROWN
WV310SWH	WHITE	WV310WH	WHITE

- Free area of 26 in².
- ¼" Removable screen available.
- Popular 3 ¼" x 10" design for kitchen range and other venting uses.
- Galvanized steel, copper, aluminum, or painted black, brown, or white.



FRESH AIR MANUFACTURING CO.
Technologies in Ventilation

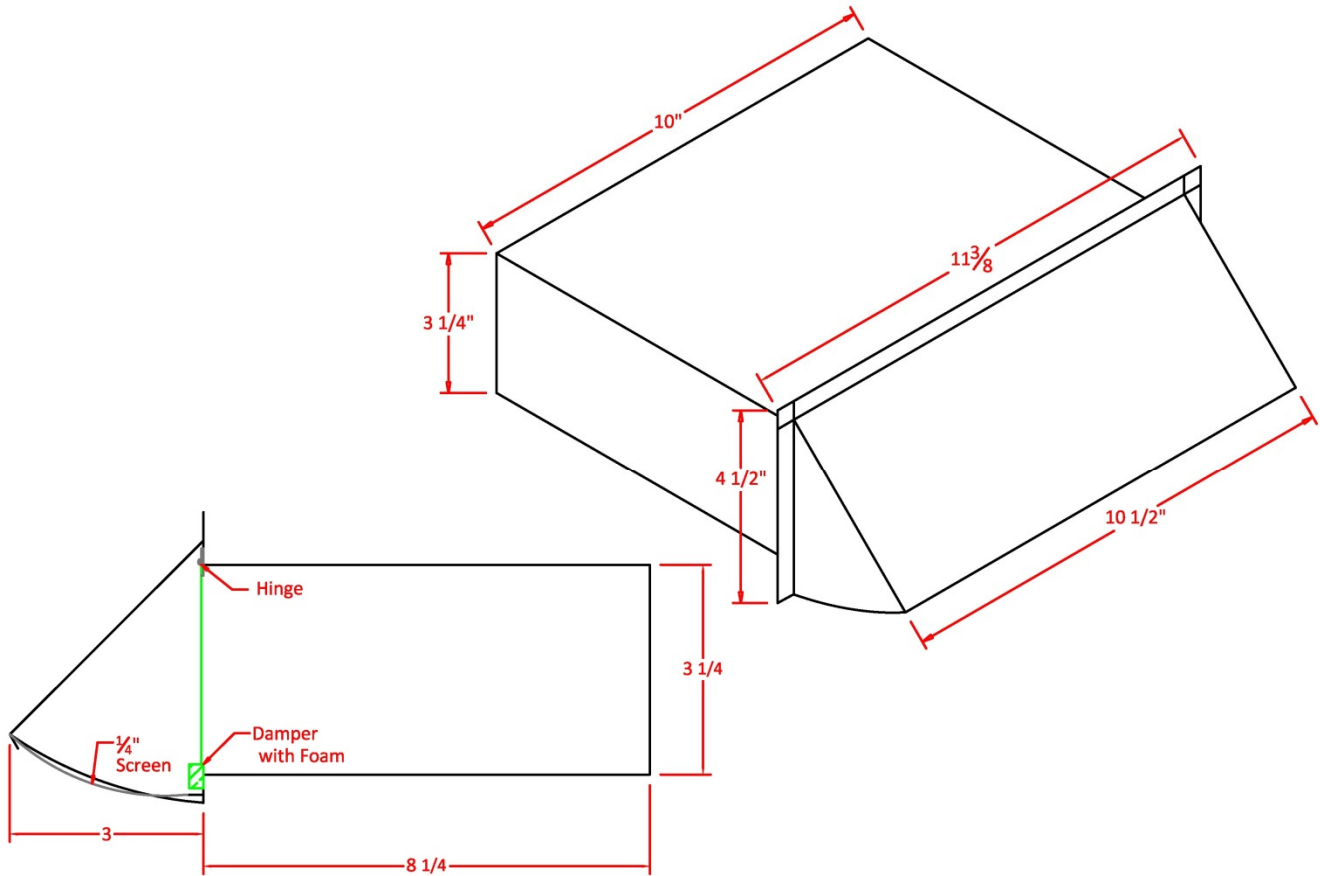
649 N. Ralstin St., Meridian, ID 83642 * (208)884-8931 * (800)-234-1903 * FAX: (208)884-8943



FAMCO

RECTANGULAR WALL VENT

STANDARD RECTANGULAR WALL VENT – WV310__



- Free area of 26 in².
- 1/4" Removable screen available.
- Popular 3 1/4" x 10" design for kitchen range, and other venting applications.
- Galvanized steel, copper, aluminum, or painted black, brown, or white.



FRESH AIR MANUFACTURING CO.
Technologies in Ventilation

649 N. Ralstin St., Meridian, ID 83642 * (208)884-8931 * (800)-234-1903 * FAX: (208)884-8943