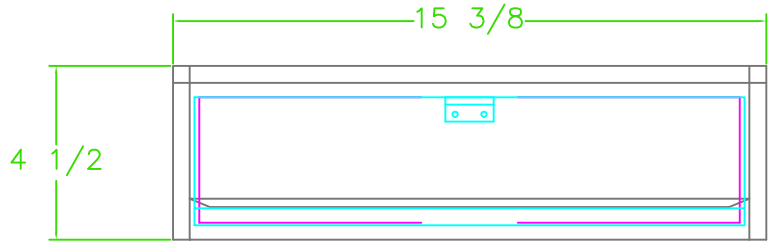
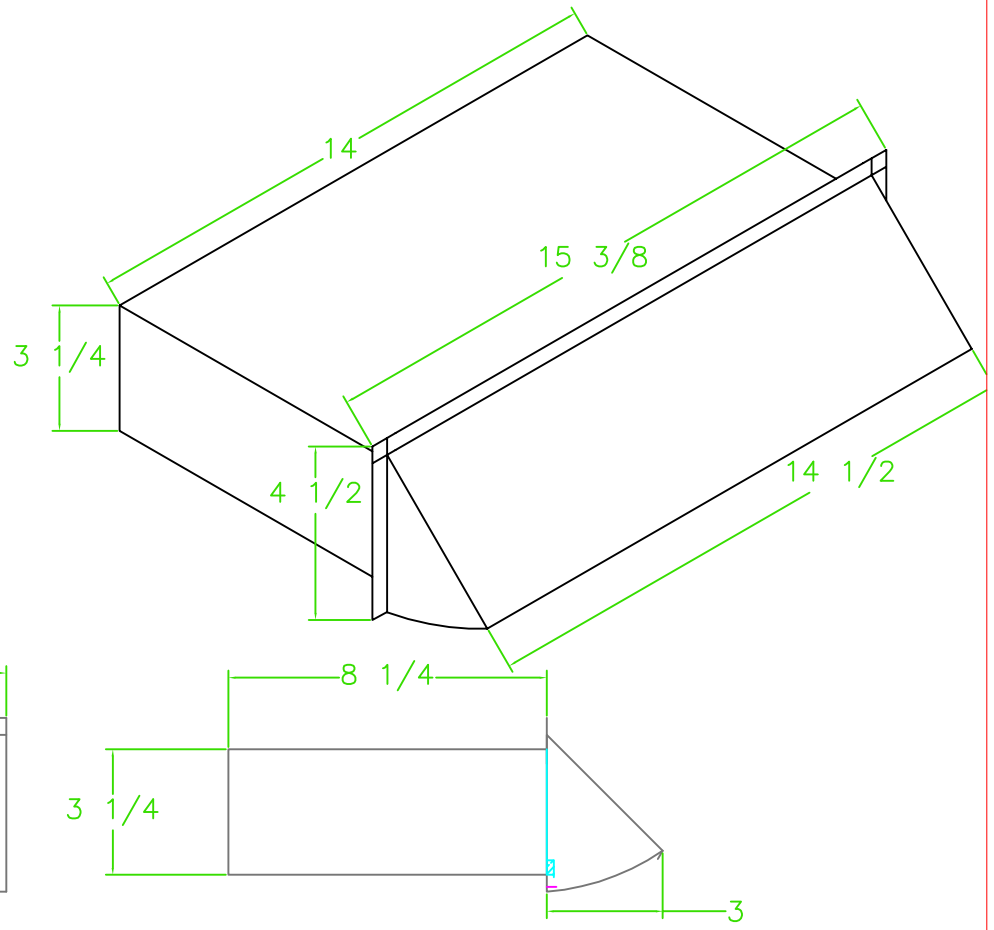
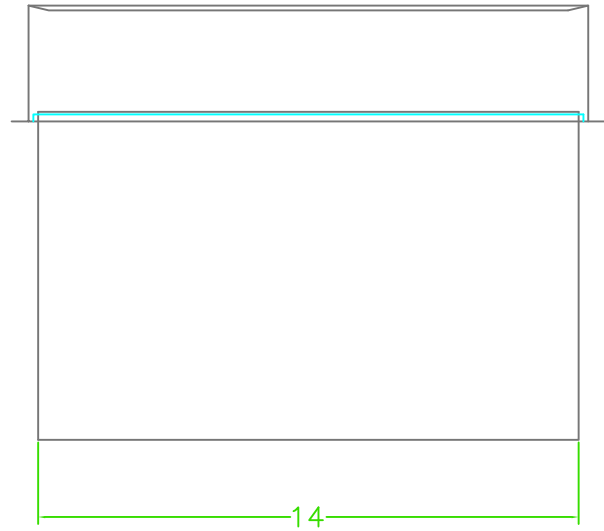




3 1/4 X 14 RECTANGULAR WALL VENT WITH DAMPER	06/25/2015	APPROVED
--	------------	----------



FAMCO

MATERIAL: FS A G90 OR LFQ G90
28GA GALVANIZED

WV314

SIZE: A	REV
---------	-----

FREE AREA: 38	MADE IN THE USA	SCALE 1:5	SHEET
---------------	-----------------	-----------	-------



FNAME

REVDATE

USER