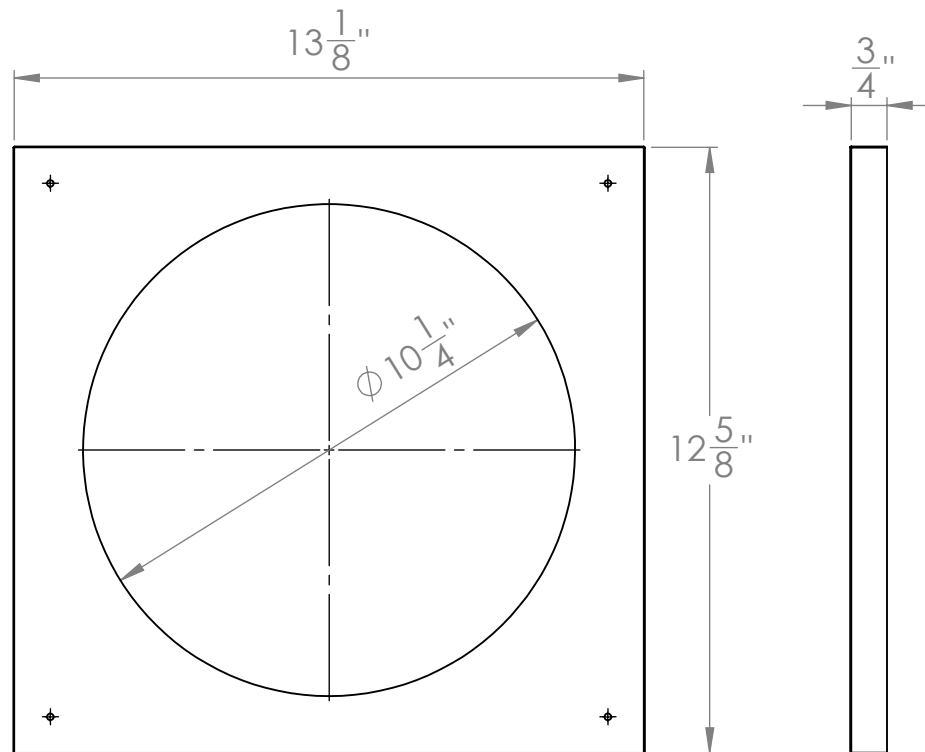
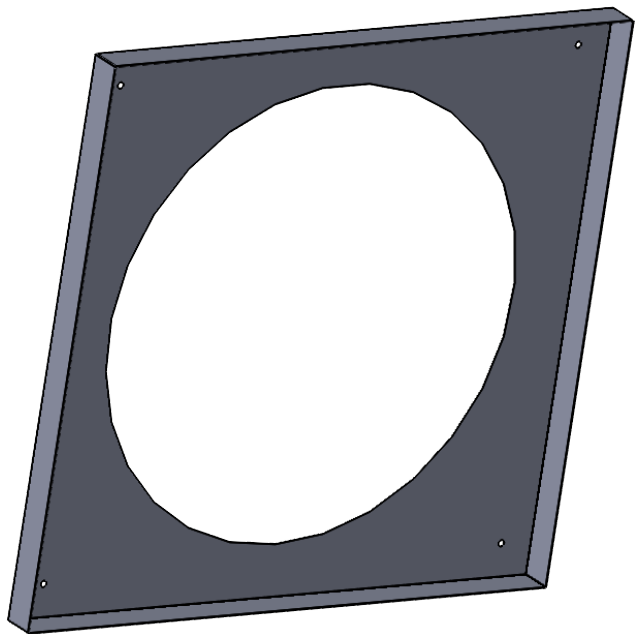


2

1


B

B



A

A

			UNLESS OTHERWISE SPECIFIED:		NAME	DATE	FAMCO		
			DIMENSIONS ARE IN INCHES		DRAWN	Alex Herrington	4/9/2020	649 N RALSTIN ST. MERIDIAN, ID 83642	
			TOLERANCES:		CHECKED			TITLE:	
			FRACTIONAL ± .125		ENG APPR.	Alex Herrington	4/9/2020	SR10	
		ANGLES ± 1°		MFG APPR.					
		TWO PLACE DECIMAL ± .01		Q.A.					
		THREE PLACE DECIMAL ± .005		COMMENTS:					
		FOUR PLACE DECIMAL ± .001							
		INTERPRET GEOMETRIC TOLERANCING PER:							
		MATERIAL	28GA.				SIZE	DWG. NO.	REV
		FINISH	GALV.				A	SR	
NEXT ASSY		USED ON					SCALE: 1:4	WEIGHT:	SHEET 1 OF 11
APPLICATION			DO NOT SCALE DRAWING						

2

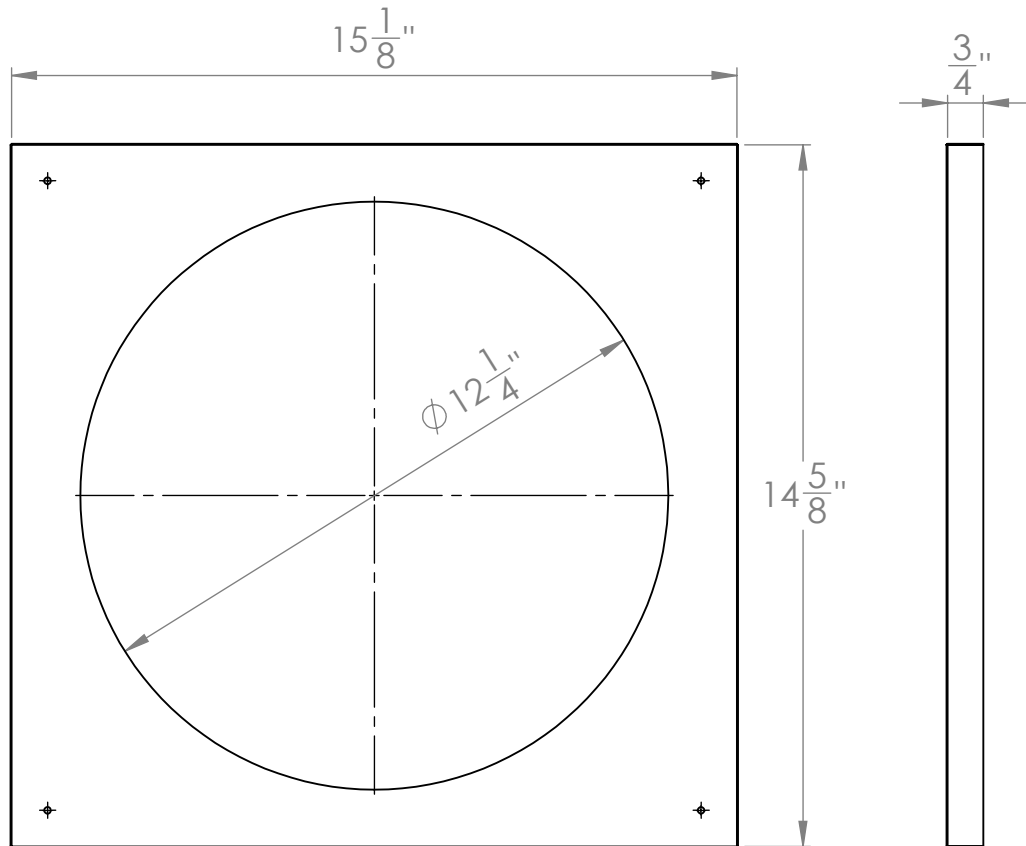
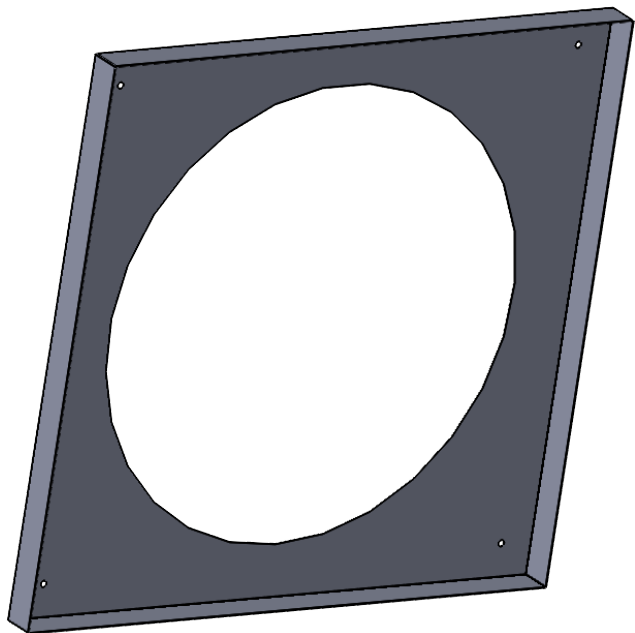
1

2

1


B

B



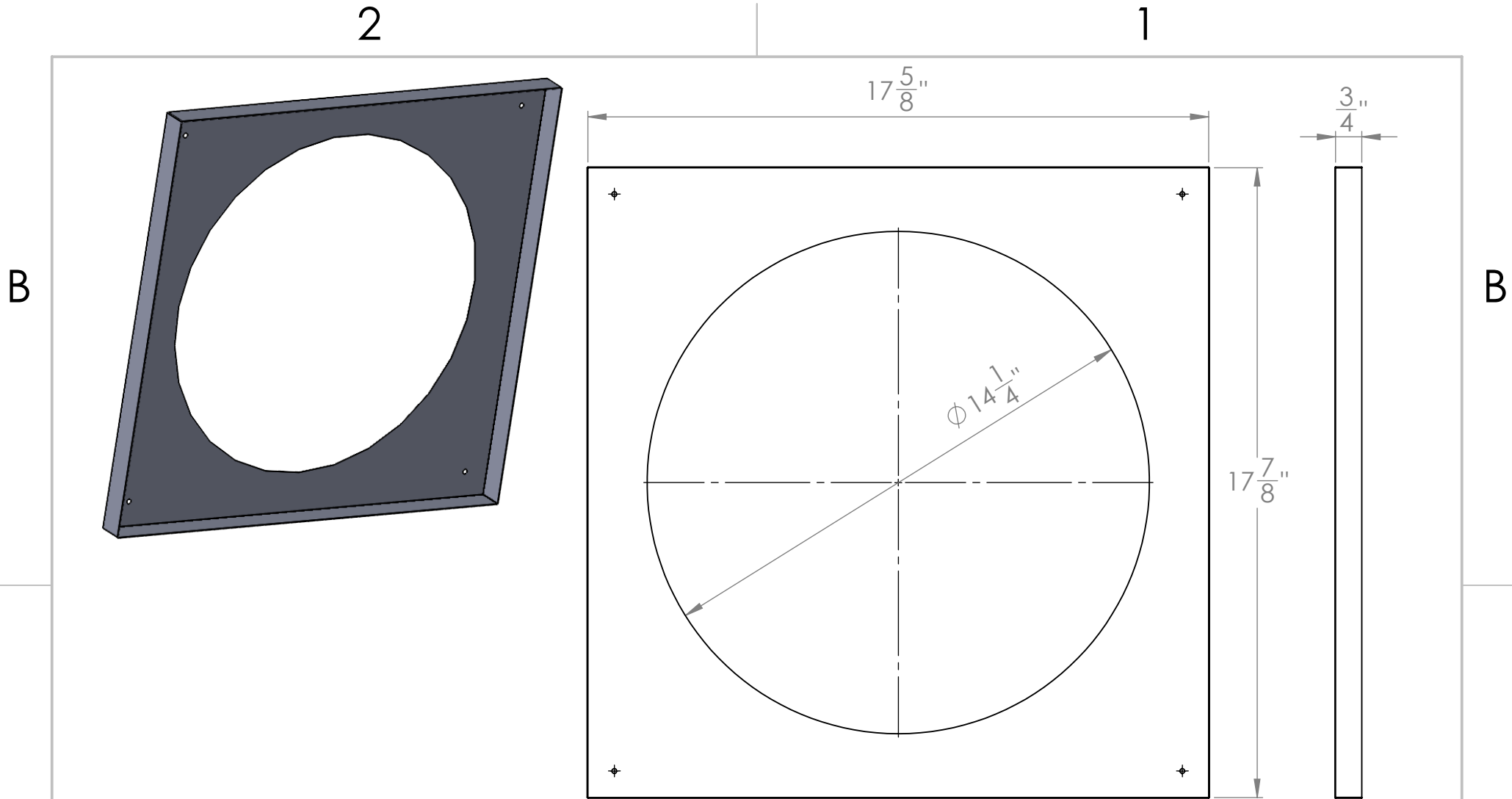
A

A

 <p>PROPRIETARY AND CONFIDENTIAL THE INFORMATION CONTAINED IN THIS DRAWING IS THE SOLE PROPERTY OF FAMCO. ANY REPRODUCTION IN PART OR AS A WHOLE WITHOUT THE WRITTEN PERMISSION OF FAMCO IS PROHIBITED.</p>			UNLESS OTHERWISE SPECIFIED: DIMENSIONS ARE IN INCHES TOLERANCES: FRACTIONAL ± .125 ANGLES ± 1° TWO PLACE DECIMAL ± .01 THREE PLACE DECIMAL ± .005 FOUR PLACE DECIMAL ± .001	NAME	DATE	FAMCO 649 N RALSTIN ST. MERIDIAN, ID 83642	
			INTERPRET GEOMETRIC TOLERANCING PER:	DRAWN	Alex Herrington	4/9/2020	TITLE: SR12
			MATERIAL 28GA.	CHECKED			
	NEXT ASSY	USED ON	FINISH GALV.	ENG APPR.	Alex Herrington	4/9/2020	SIZE A DWG. NO. SR REV
	APPLICATION		DO NOT SCALE DRAWING	MFG APPR.			
			COMMENTS:			SCALE: 1:4 WEIGHT: SHEET 2 OF 11	

2

1



PROPRIETARY AND CONFIDENTIAL
 THE INFORMATION CONTAINED IN THIS DRAWING IS THE SOLE PROPERTY OF FAMCO. ANY REPRODUCTION IN PART OR AS A WHOLE WITHOUT THE WRITTEN PERMISSION OF FAMCO IS PROHIBITED.

		UNLESS OTHERWISE SPECIFIED:		NAME	DATE
		DIMENSIONS ARE IN INCHES	DRAWN	Alex Herrington	4/9/2020
		TOLERANCES:	CHECKED		
		FRACTIONAL ± .125	ENG APPR.	Alex Herrington	4/9/2020
		ANGLES ± 1°	MFG APPR.		
		TWO PLACE DECIMAL ± .01	Q.A.		
		THREE PLACE DECIMAL ± .005	COMMENTS:		
		FOUR PLACE DECIMAL ± .001			
		INTERPRET GEOMETRIC TOLERANCING PER:			
		MATERIAL 28GA.			
		FINISH GALV.			
NEXT ASSY	USED ON				
APPLICATION		DO NOT SCALE DRAWING			

FAMCO 649 N RALSTIN ST. MERIDIAN, ID 83642		
TITLE: SR14		
SIZE A	DWG. NO. SR	REV
SCALE: 1:4	WEIGHT:	SHEET 3 OF 11

A

A

2

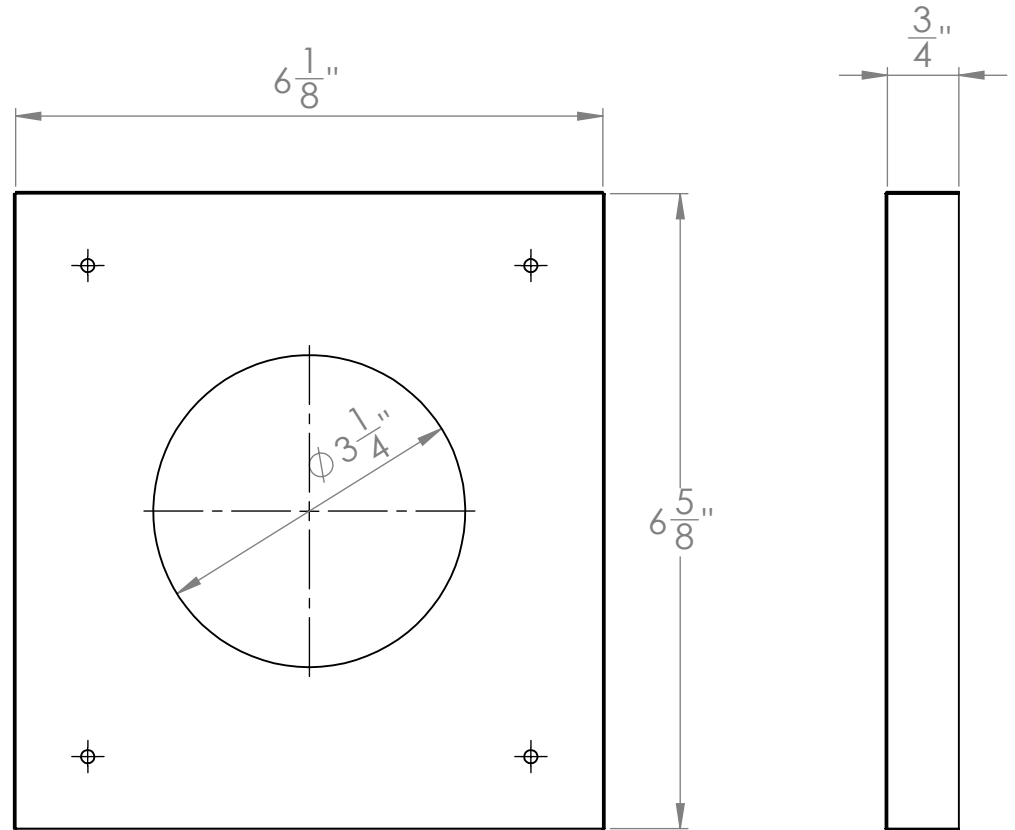
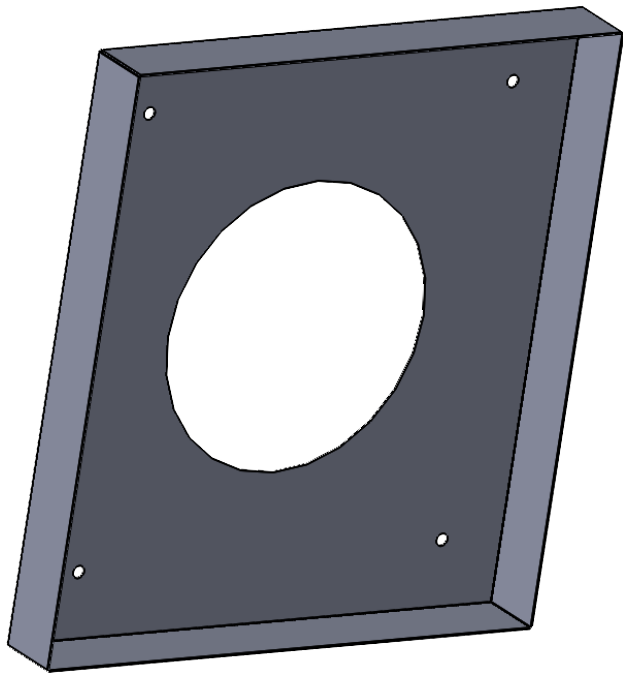
1

2

1

B

B



A

A



PROPRIETARY AND CONFIDENTIAL
 THE INFORMATION CONTAINED IN THIS DRAWING IS THE SOLE PROPERTY OF FAMCO. ANY REPRODUCTION IN PART OR AS A WHOLE WITHOUT THE WRITTEN PERMISSION OF FAMCO IS PROHIBITED.

		UNLESS OTHERWISE SPECIFIED:		NAME	DATE
		DIMENSIONS ARE IN INCHES	DRAWN	Alex Herrington	4/9/2020
		TOLERANCES:	CHECKED		
		FRACTIONAL ± .125	ENG APPR.	Alex Herrington	4/9/2020
		ANGLES ± 1°	MFG APPR.		
		TWO PLACE DECIMAL ± .01	Q.A.		
		THREE PLACE DECIMAL ± .005	COMMENTS:		
		FOUR PLACE DECIMAL ± .001			
		INTERPRET GEOMETRIC TOLERANCING PER:			
		MATERIAL 28GA.			
		FINISH GALV.			
NEXT ASSY	USED ON				
APPLICATION		DO NOT SCALE DRAWING			

FAMCO 649 N RALSTIN ST. MERIDIAN, ID 83642		
TITLE: SR3		
SIZE A	DWG. NO. SR	REV
SCALE: 1:2	WEIGHT:	SHEET 4 OF 11

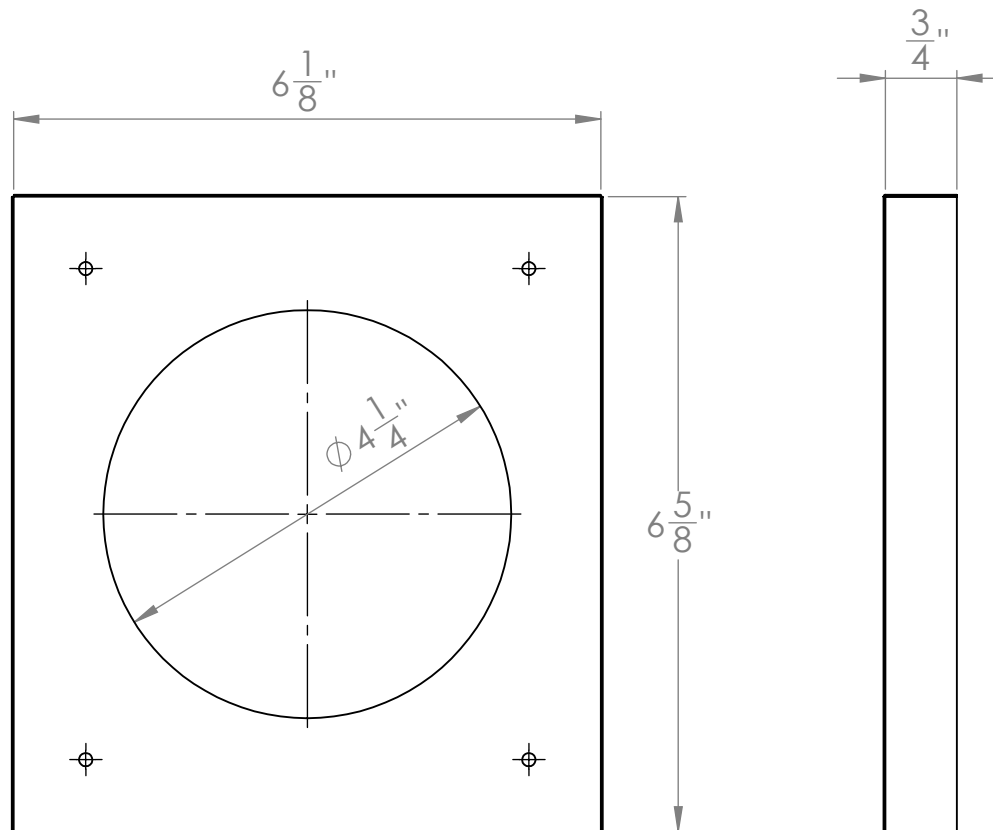
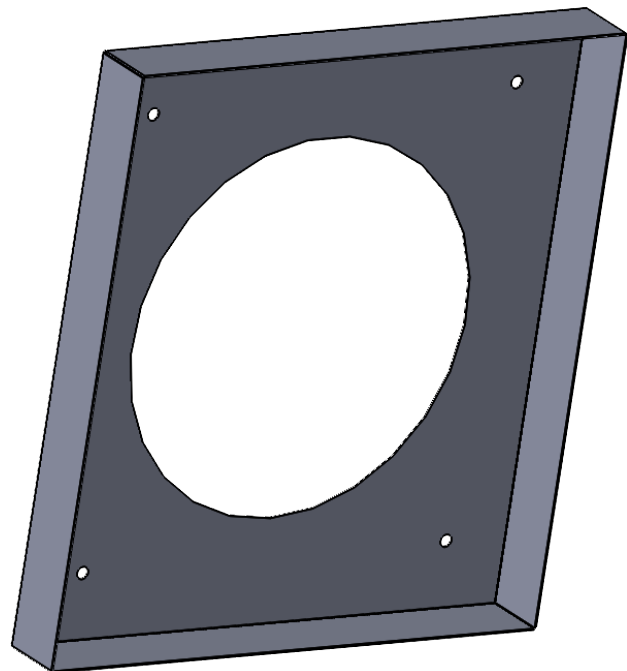
2

1

2

1


B



B

A

A

			UNLESS OTHERWISE SPECIFIED:		NAME	DATE	FAMCO		
			DIMENSIONS ARE IN INCHES		DRAWN	Alex Herrington	4/9/2020	649 N RALSTIN ST. MERIDIAN, ID 83642	
<p>PROPRIETARY AND CONFIDENTIAL</p> <p>THE INFORMATION CONTAINED IN THIS DRAWING IS THE SOLE PROPERTY OF FAMCO. ANY REPRODUCTION IN PART OR AS A WHOLE WITHOUT THE WRITTEN PERMISSION OF FAMCO IS PROHIBITED.</p>			TOLERANCES:		CHECKED		TITLE:		
			FRACTIONAL ± .125		ENG APPR.	Alex Herrington	4/9/2020	SR4	
			ANGLES ± 1°		MFG APPR.			SIZE	
			TWO PLACE DECIMAL ± .01		Q.A.			DWG. NO.	
			THREE PLACE DECIMAL ± .005		COMMENTS:			SR	
		FOUR PLACE DECIMAL ± .001					REV		
		INTERPRET GEOMETRIC TOLERANCING PER:					SCALE: 1:2		
		MATERIAL 28GA.					WEIGHT:		
		FINISH GALV.					SHEET 5 OF 11		
NEXT ASSY		USED ON							
APPLICATION			DO NOT SCALE DRAWING						

2

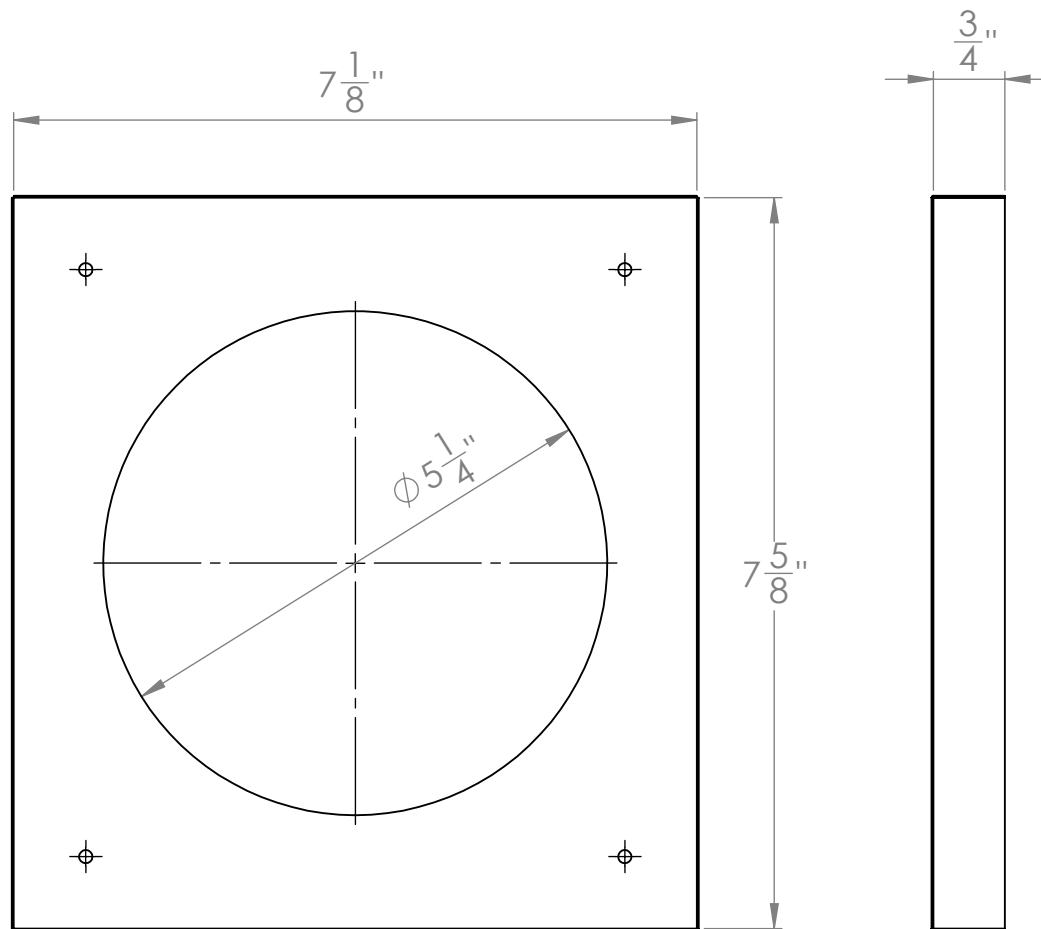
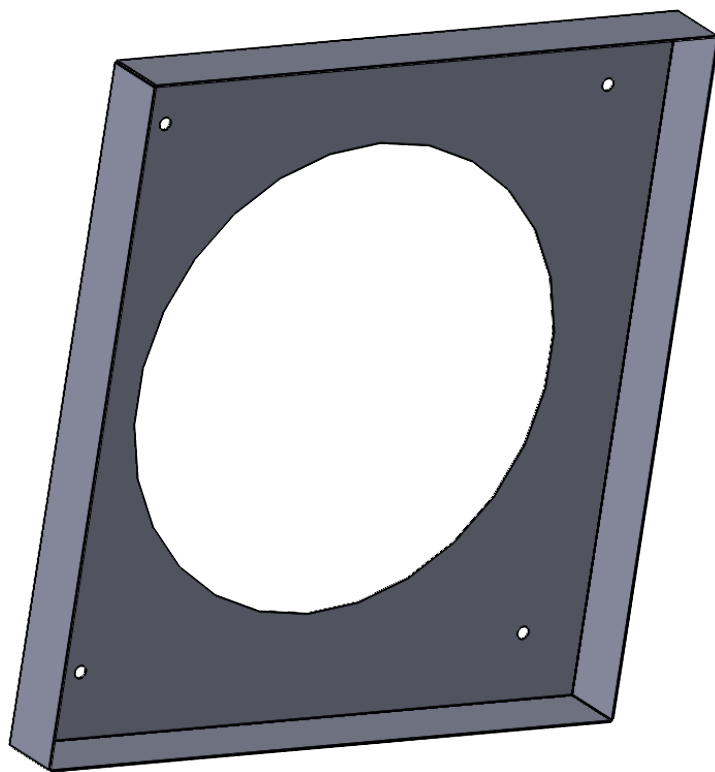
1

2

1

B

B



A

A



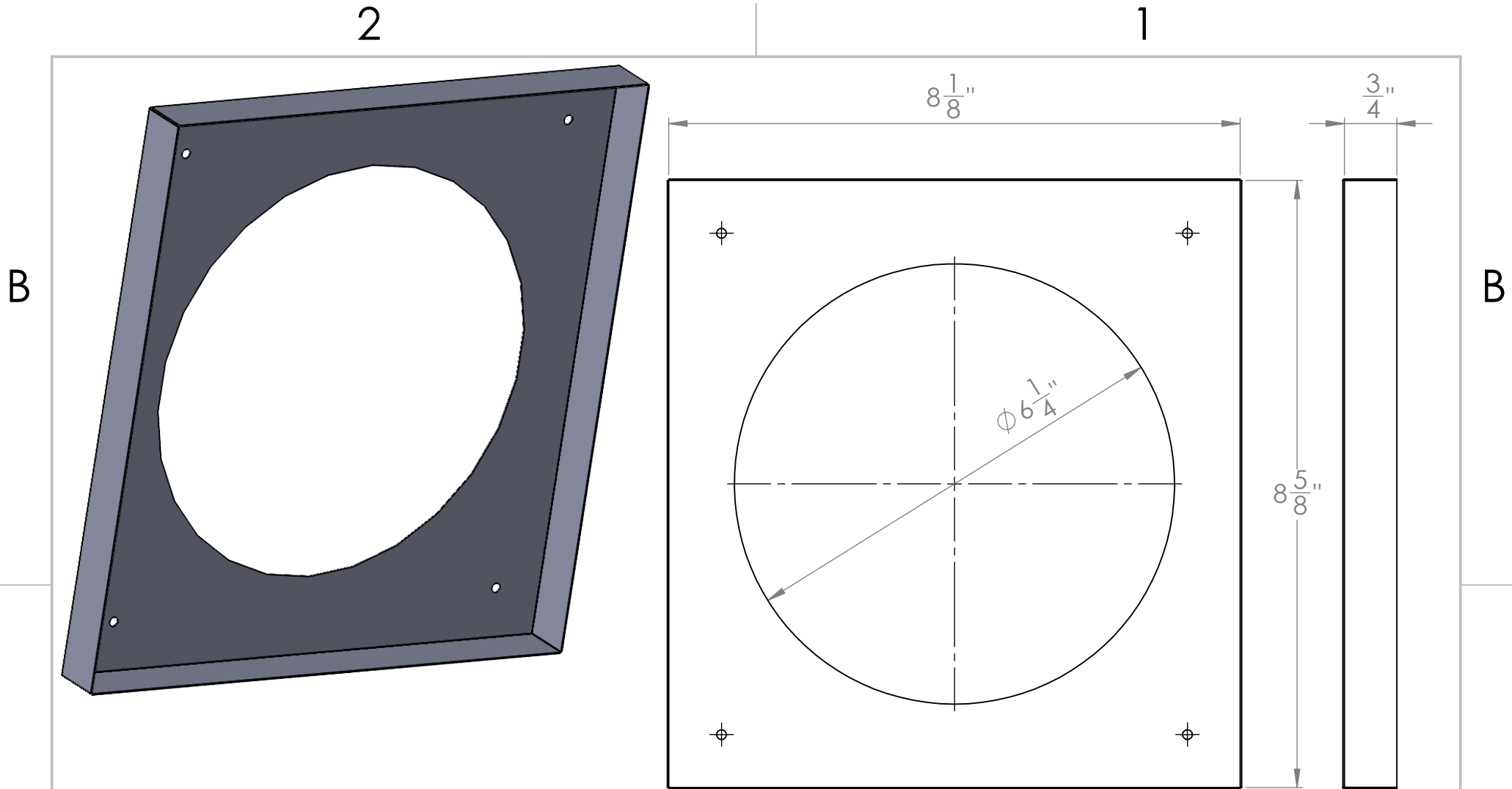
PROPRIETARY AND CONFIDENTIAL
 THE INFORMATION CONTAINED IN THIS DRAWING IS THE SOLE PROPERTY OF FAMCO. ANY REPRODUCTION IN PART OR AS A WHOLE WITHOUT THE WRITTEN PERMISSION OF FAMCO IS PROHIBITED.

		UNLESS OTHERWISE SPECIFIED:		NAME	DATE
		DIMENSIONS ARE IN INCHES	DRAWN	Alex Herrington	4/9/2020
		TOLERANCES:	CHECKED		
		FRACTIONAL ± .125	ENG APPR.	Alex Herrington	4/9/2020
		ANGLES ± 1°	MFG APPR.		
		TWO PLACE DECIMAL ± .01	Q.A.		
		THREE PLACE DECIMAL ± .005	COMMENTS:		
		FOUR PLACE DECIMAL ± .001			
		INTERPRET GEOMETRIC TOLERANCING PER:			
		MATERIAL 28GA.			
		FINISH GALV.			
NEXT ASSY	USED ON				
APPLICATION		DO NOT SCALE DRAWING			

FAMCO 649 N RALSTIN ST. MERIDIAN, ID 83642		
TITLE: SR5		
SIZE A	DWG. NO. SR	REV
SCALE: 1:2	WEIGHT:	SHEET 6 OF 11

2

1



PROPRIETARY AND CONFIDENTIAL
 THE INFORMATION CONTAINED IN THIS DRAWING IS THE SOLE PROPERTY OF FAMCO. ANY REPRODUCTION IN PART OR AS A WHOLE WITHOUT THE WRITTEN PERMISSION OF FAMCO IS PROHIBITED.

NEXT ASSY	USED ON	
APPLICATION		

UNLESS OTHERWISE SPECIFIED:	
DIMENSIONS ARE IN INCHES	
TOLERANCES:	
FRACTIONAL ± .125	
ANGLES ± 1°	
TWO PLACE DECIMAL ± .01	
THREE PLACE DECIMAL ± .005	
FOUR PLACE DECIMAL ± .001	
INTERPRET GEOMETRIC TOLERANCING PER:	
MATERIAL	28GA.
FINISH	GALV.
DO NOT SCALE DRAWING	

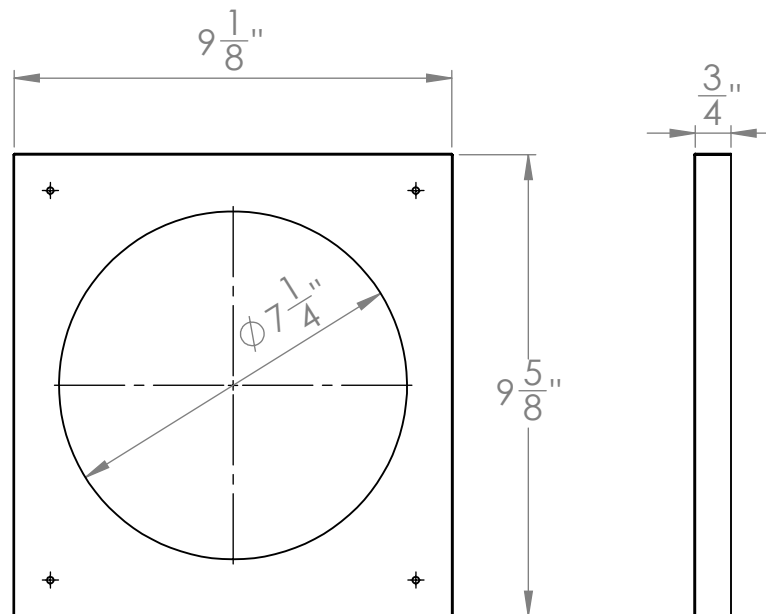
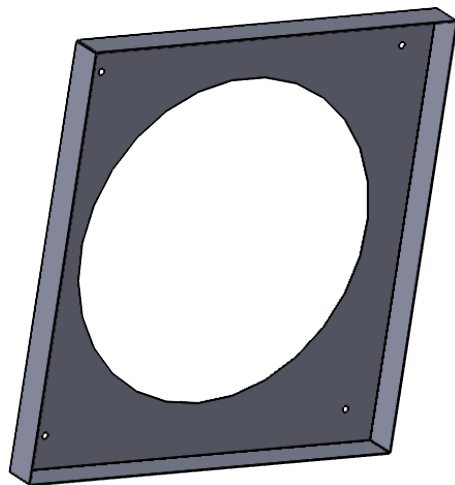
	NAME	DATE
DRAWN	Alex Herrington	4/9/2020
CHECKED		
ENG APPR.	Alex Herrington	4/9/2020
MFG APPR.		
Q.A.		
COMMENTS:		

FAMCO 649 N RALSTIN ST. MERIDIAN, ID 83642		
TITLE: SR6		
SIZE A	DWG. NO. SR	REV
SCALE: 1:2	WEIGHT:	SHEET 7 OF 11

2

1


B



B

A

A

			UNLESS OTHERWISE SPECIFIED:		NAME	DATE	FAMCO	
			DIMENSIONS ARE IN INCHES	DRAWN	Alex Herrington	4/9/2020	649 N RALSTIN ST. MERIDIAN, ID 83642	
			TOLERANCES:	CHECKED			TITLE:	
			FRACTIONAL ± .125	ENG APPR.	Alex Herrington	4/9/2020	SR7	
			ANGLES ± 1°	MFG APPR.			SIZE	
		TWO PLACE DECIMAL ± .01	Q.A.			DWG. NO.		
		THREE PLACE DECIMAL ± .005	COMMENTS:			SR		
		FOUR PLACE DECIMAL ± .001				REV		
		INTERPRET GEOMETRIC TOLERANCING PER:				SCALE: 1:4		
		MATERIAL 28GA.				WEIGHT:		
		FINISH GALV.				SHEET 8 OF 11		
NEXT ASSY		USED ON						
APPLICATION			DO NOT SCALE DRAWING					

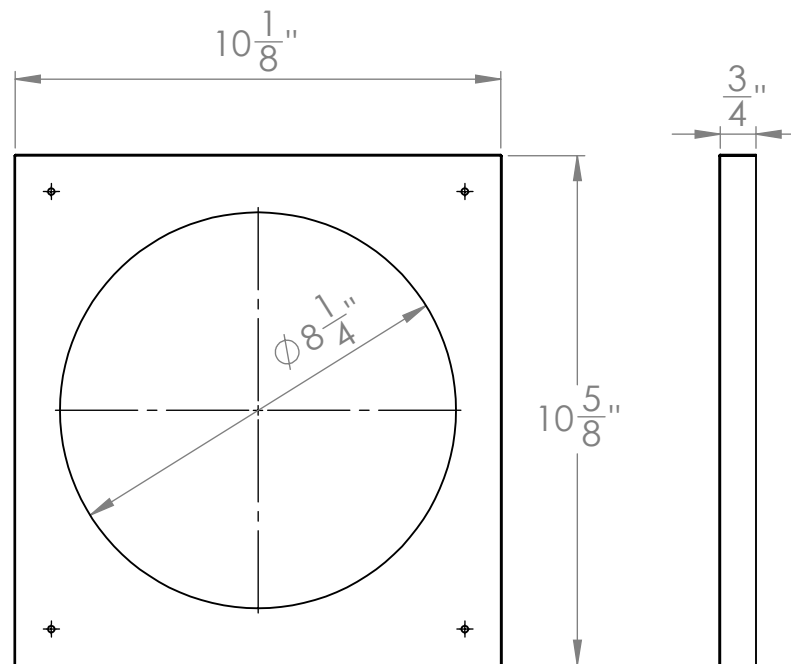
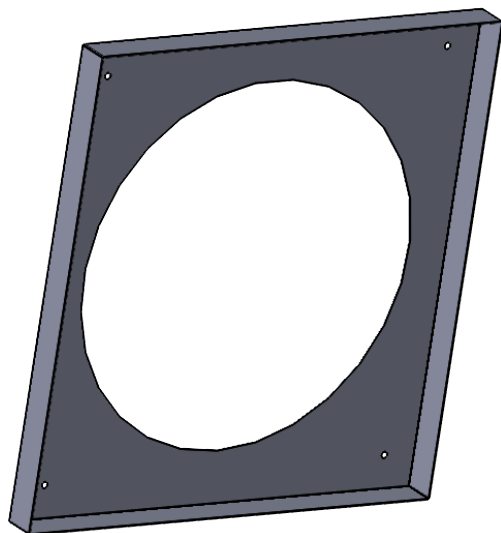
2

1

2

1


B



B

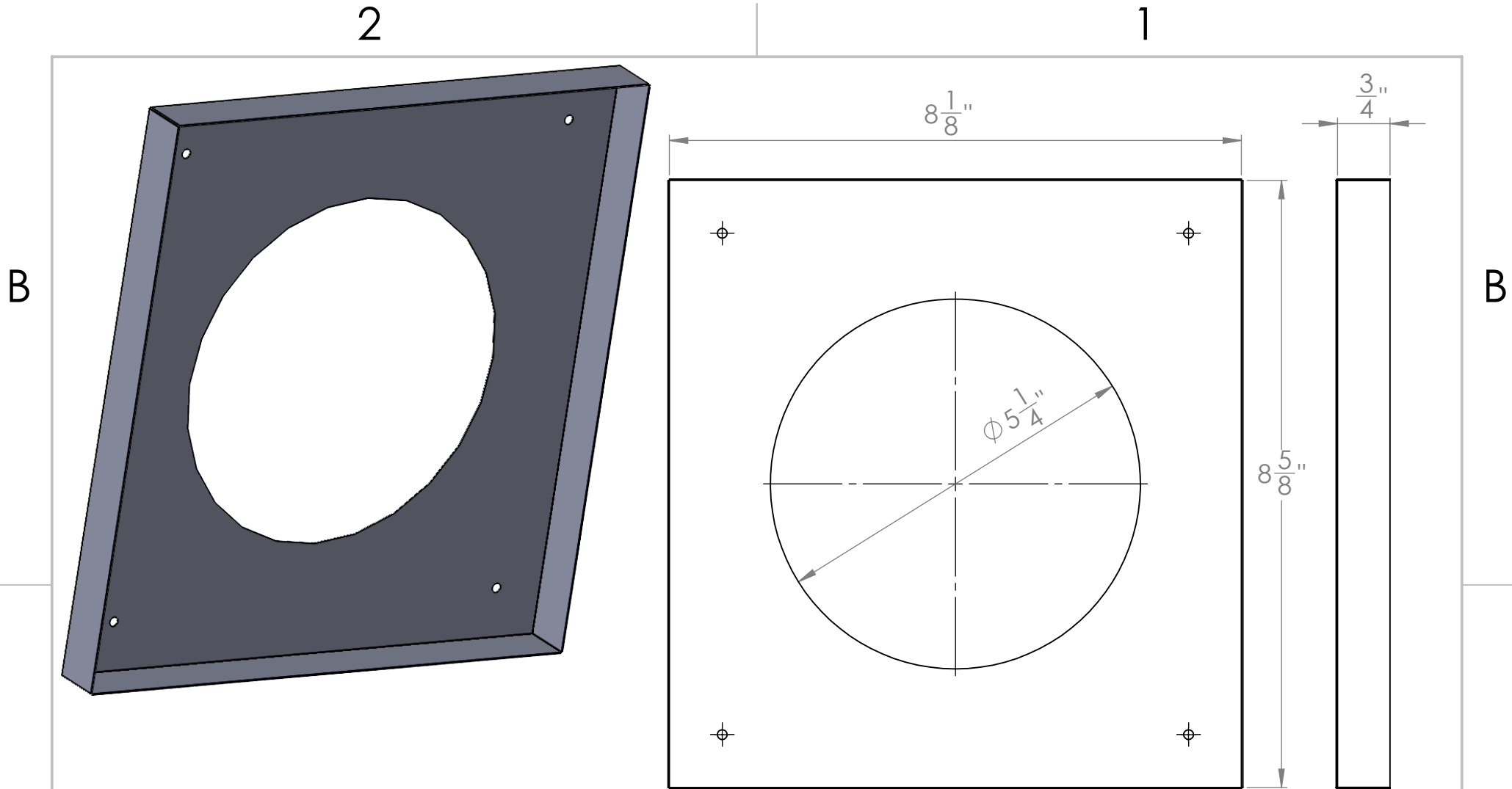
A

A

			UNLESS OTHERWISE SPECIFIED:		NAME	DATE	FAMCO		
			DIMENSIONS ARE IN INCHES		DRAWN	Alex Herrington	4/9/2020	649 N RALSTIN ST. MERIDIAN, ID 83642	
<p>PROPRIETARY AND CONFIDENTIAL</p> <p>THE INFORMATION CONTAINED IN THIS DRAWING IS THE SOLE PROPERTY OF FAMCO. ANY REPRODUCTION IN PART OR AS A WHOLE WITHOUT THE WRITTEN PERMISSION OF FAMCO IS PROHIBITED.</p>			TOLERANCES:		CHECKED		TITLE:		
			FRACTIONAL ± .125		ENG APPR.	Alex Herrington	4/9/2020	SR8	
			ANGLES ± 1°		MFG APPR.			SIZE	
			TWO PLACE DECIMAL ± .01		Q.A.			DWG. NO.	REV
			THREE PLACE DECIMAL ± .005		COMMENTS:			SR	
		FOUR PLACE DECIMAL ± .001					SCALE: 1:4	WEIGHT:	SHEET 9 OF 11
		INTERPRET GEOMETRIC TOLERANCING PER:							
		MATERIAL	28GA.						
		FINISH	GALV.						
		NEXT ASSY	USED ON						
		APPLICATION		DO NOT SCALE DRAWING					


2

1



A

A

 <p>PROPRIETARY AND CONFIDENTIAL THE INFORMATION CONTAINED IN THIS DRAWING IS THE SOLE PROPERTY OF FAMCO. ANY REPRODUCTION IN PART OR AS A WHOLE WITHOUT THE WRITTEN PERMISSION OF FAMCO IS PROHIBITED.</p>			UNLESS OTHERWISE SPECIFIED: DIMENSIONS ARE IN INCHES TOLERANCES: FRACTIONAL $\pm .125$ ANGLES $\pm 1^\circ$ TWO PLACE DECIMAL $\pm .01$ THREE PLACE DECIMAL $\pm .005$ FOUR PLACE DECIMAL $\pm .001$	NAME	DATE	FAMCO 649 N RALSTIN ST. MERIDIAN, ID 83642	
			INTERPRET GEOMETRIC TOLERANCING PER:	DRAWN	Alex Herrington	4/9/2020	TITLE: SRWVEB5
			MATERIAL 28GA.	CHECKED			
			FINISH GALV.	ENG APPR.	Alex Herrington	4/9/2020	SIZE DWG. NO. REV A SR
	NEXT ASSY	USED ON		MFG APPR.			
APPLICATION		DO NOT SCALE DRAWING	Q.A.			SCALE: 1:2 WEIGHT: SHEET 10 OF 11	

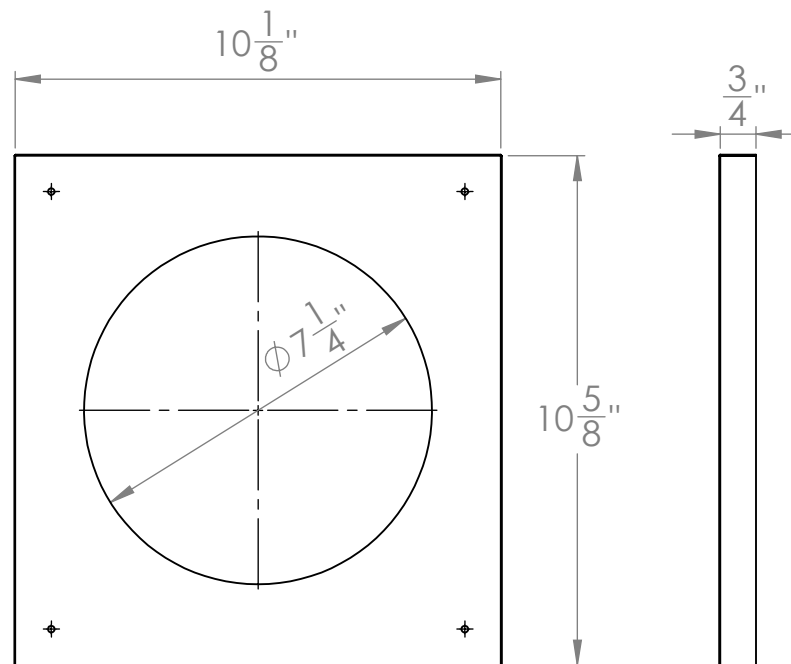
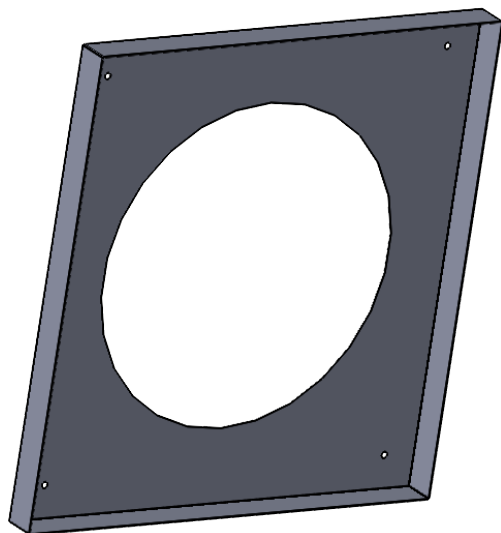
2

1

2

1


B



B

A

A

			UNLESS OTHERWISE SPECIFIED:		NAME	DATE	FAMCO			
			DIMENSIONS ARE IN INCHES		DRAWN	Alex Herrington	4/9/2020	649 N RALSTIN ST. MERIDIAN, ID 83642		
<p>PROPRIETARY AND CONFIDENTIAL</p> <p>THE INFORMATION CONTAINED IN THIS DRAWING IS THE SOLE PROPERTY OF FAMCO. ANY REPRODUCTION IN PART OR AS A WHOLE WITHOUT THE WRITTEN PERMISSION OF FAMCO IS PROHIBITED.</p>			TOLERANCES:		CHECKED		TITLE:			
			FRACTIONAL ± .125		ENG APPR.	Alex Herrington				4/9/2020
			ANGLES ± 1°		MFG APPR.			SRWVEB7 SIZE DWG. NO. REV A SR		
			TWO PLACE DECIMAL ± .01		Q.A.					
			THREE PLACE DECIMAL ± .005		COMMENTS:					
		FOUR PLACE DECIMAL ± .001					SCALE: 1:4 WEIGHT: SHEET 11 OF 11			
		INTERPRET GEOMETRIC TOLERANCING PER:								
		MATERIAL	28GA.							
		FINISH	GALV.							
NEXT ASSY		USED ON								
APPLICATION			DO NOT SCALE DRAWING							

2

1