



**FAMCO**

## ROOF VENTS, J-VENTS

---

BIG MOUTH HOOD DESIGN

HEAVY 24 GA WALL VENT 6" – **WVEBH6BK, SDWV6HDBK**



ITEM #	COLOR
WVEBH6BK	BLACK
WVEBH6A	ALUMINUM

- 24 Gauge G90 galvanized steel.
- Powder coated black or brown.
- 1/4 removable screen.
- Aluminum Damper with Gasket.
- Spring Loaded.



---

**FRESH AIR MANUFACTURING CO.**  
*Technologies in Ventilation*

649 N. Ralstin St., Meridian, ID 83642 \* (208)884-8931 \* (800)-234-1903 \* FAX: (208)884-8943

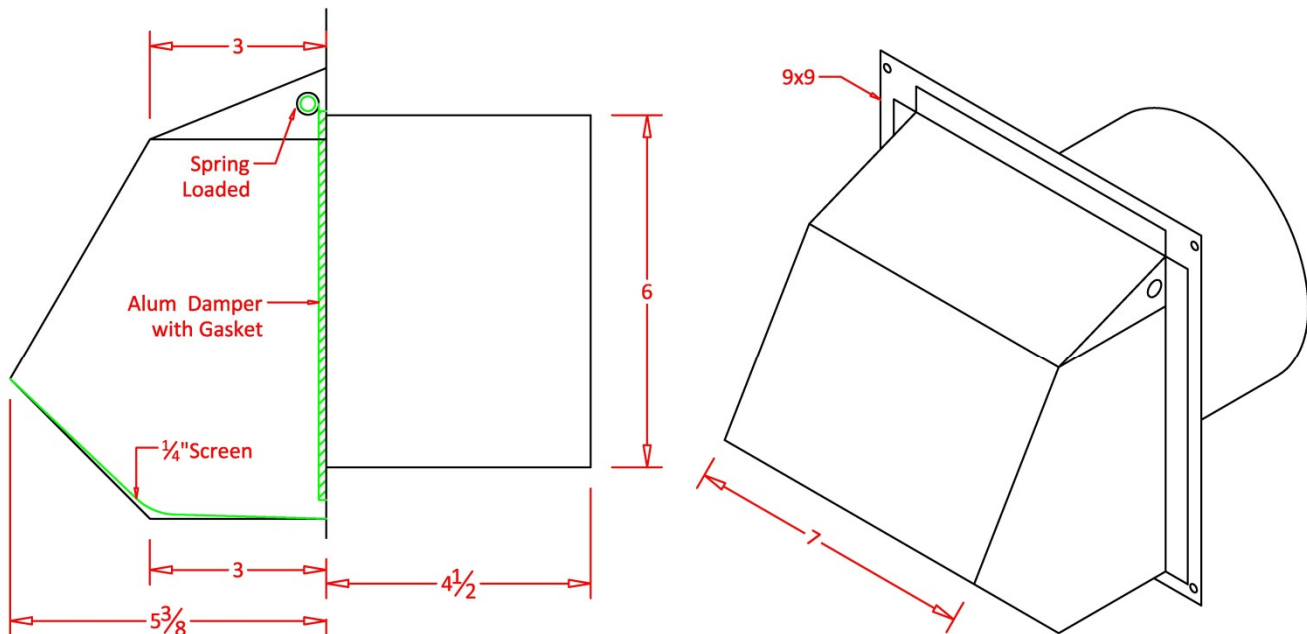


**FAMCO**

## ROOF VENTS, J-VENTS

BIG MOUTH HOOD DESIGN

HEAVY 24 GA WALL VENT 6" – WVEBH6BK, SDWV6HDBK



- 24 Gauge G90 galvanized steel.
- Powder coated black or brown.
- 1/4 removable screen.
- Aluminum Damper with Gasket.
- Spring Loaded.



**FRESH AIR MANUFACTURING CO.**  
*Technologies in Ventilation*

649 N. Ralstin St., Meridian, ID 83642 \* (208)884-8931 \* (800)-234-1903 \* FAX: (208)884-8943