

LOUVERED GABLE VENTS



LOUVERED GABLE VENT WITH ROUND TRANSITION GVT__



GVT	
ITEM #	SIZE
GVT886	8 x 8 x 6
GVT888	8 x 8 x 8
GVT1286	12 x 8 x 6
GVT1288	12 x 8 x 8
GV T12108	12 x 10 x 8
GVT121010	12 x 10 x 10
GVT121210	12 x 12 x 10
GVT121212	12 x 12 x 12

- Available in a large range of louver and transition sizes
- Supplied with ½" screen
- Heavy gauge galvanized materials
- Large mounting flange

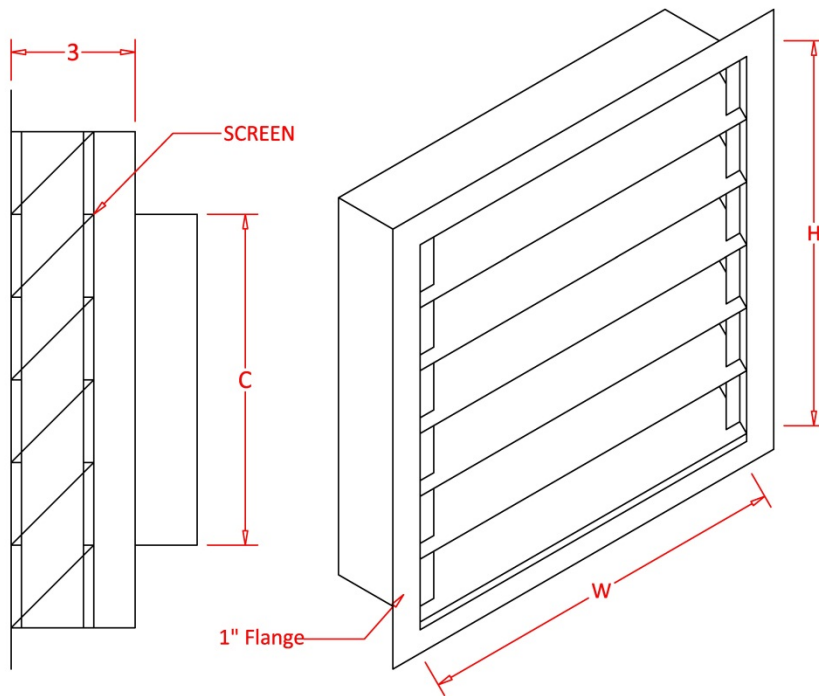




LOUVERED GABLE VENTS



LOUVERED GABLE VENT WITH ROUND TRANSITION **GVT**__



GABLE VENT W/ ROUND TRANSITION					
ITEM #	SIZE (IN)	H	W	C	FREE AREA IN ²
GVT886	8X8X6	8	8	6	28.27
GVT888	8X8X8	8	8	8	50.26
GVT1286	12X8X6	12	8	6	28.27
GVT1288	12X8X8	12	8	8	50.26
GVT12108	12X10X8	12	10	8	50.26
GVT121010	12X10X10	12	10	10	78.53
GVT12128	12X12X8	12	12	8	50.26
GVT121210	12X12X10	12	12	10	78.53
GVT121212	12X12X12	12	12	12	113.10



FRESH AIR MANUFACTURING CO.
Technologies in Ventilation

649 N. Ralstin St., Meridian, ID 83642 * (208)884-8931 * (800)-234-1903 * FAX: (208)884-8943