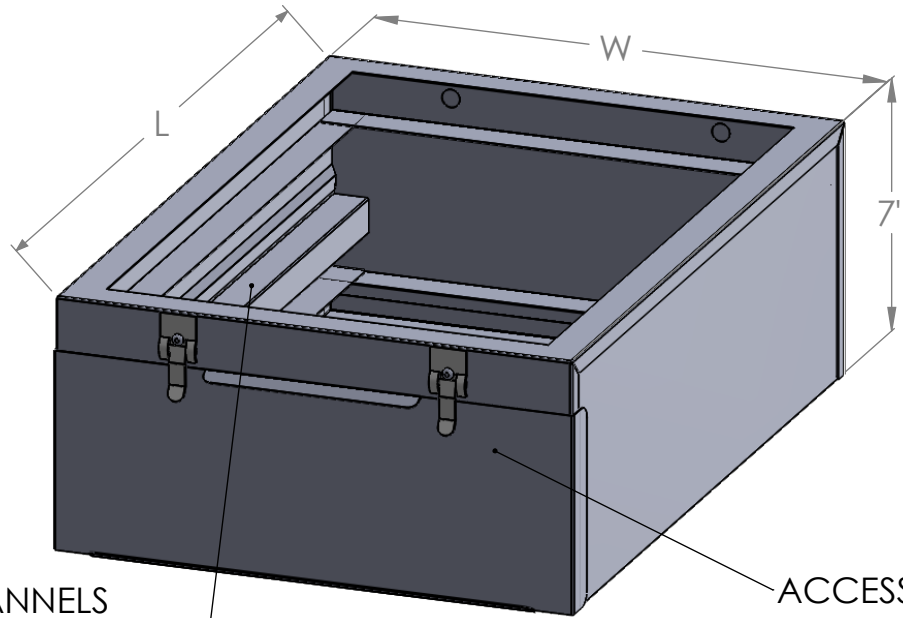


2

1

B

B



HEAVY 22GA. GALVANIZED CONSTRUCTION

ACCESS DOOR FOR FILTER

REMOVABLE CHANNELS TO ACCOMODATE 1" - 4" FILTERS IN UPDRAFT OR DOWNDRAFT INSTALLATIONS.

A

A

SIZE	W	L							
1420	14 3/8	20 1/8							
1425	14 3/8	25 1/8							
1620	16 3/8	20 1/8							
1625	16 3/8	25 1/8							
1820	18 3/8	20 1/8							
1825	18 3/8	25 1/8							
2020	20 3/8	20 1/8							
2025	20 3/8	25 1/8							

2

1