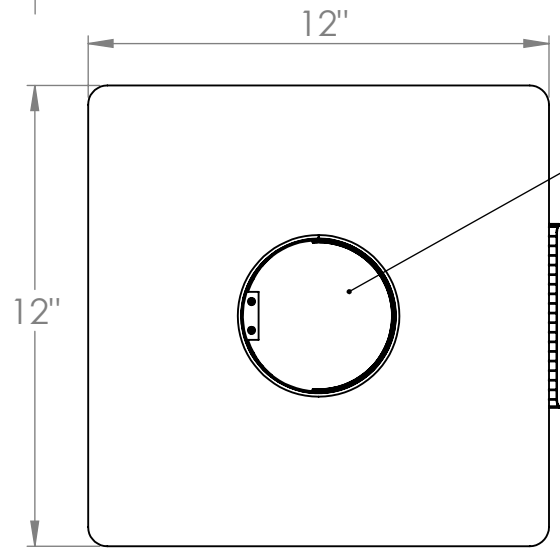
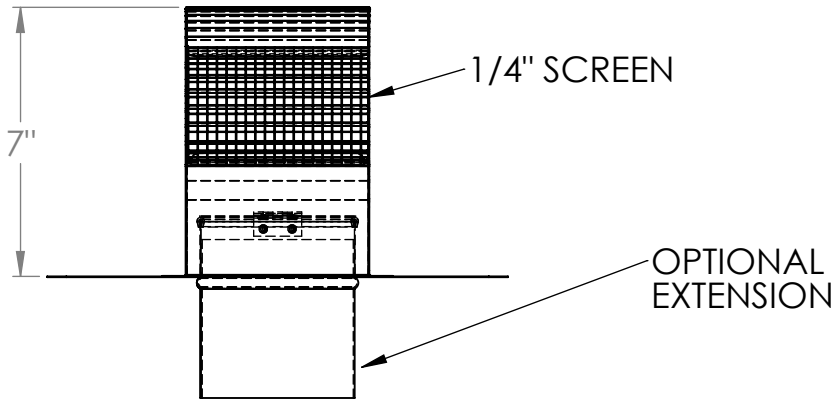
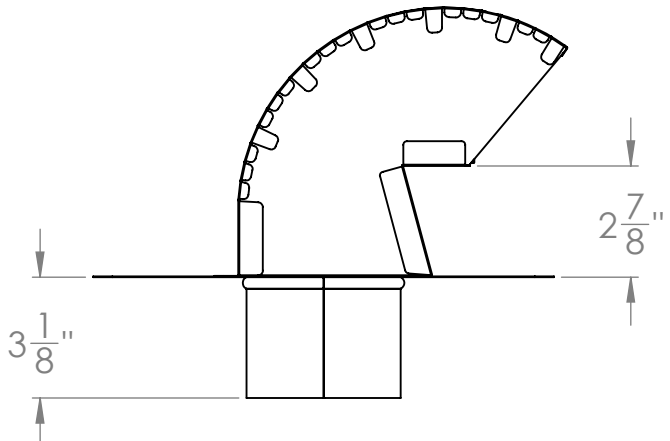


2

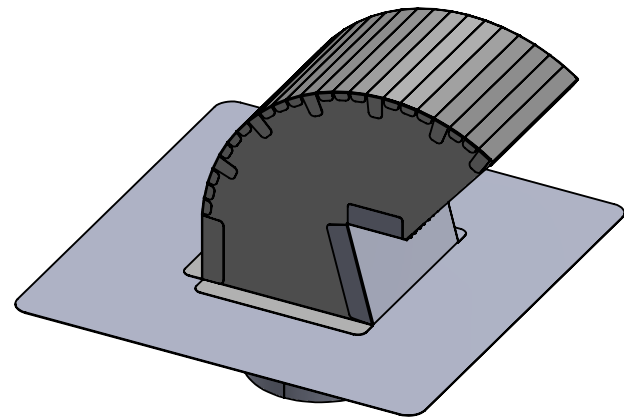
1

B

B



ALUM. DAMPER



A

A



PROPRIETARY AND CONFIDENTIAL
 THE INFORMATION CONTAINED IN THIS DRAWING IS THE SOLE PROPERTY OF FAMCO. ANY REPRODUCTION IN PART OR AS A WHOLE WITHOUT THE WRITTEN PERMISSION OF FAMCO IS PROHIBITED.

NEXT ASSY	USED ON	
APPLICATION		

UNLESS OTHERWISE SPECIFIED:
 DIMENSIONS ARE IN INCHES
 TOLERANCES:
 FRACTIONAL .125
 ANGLES 1°
 TWO PLACE DECIMAL .01
 THREE PLACE DECIMAL .005
 FOUR PLACE DECIMAL .001

INTERPRET GEOMETRIC TOLERANCING PER:
 MATERIAL 28GA GALV.

FINISH

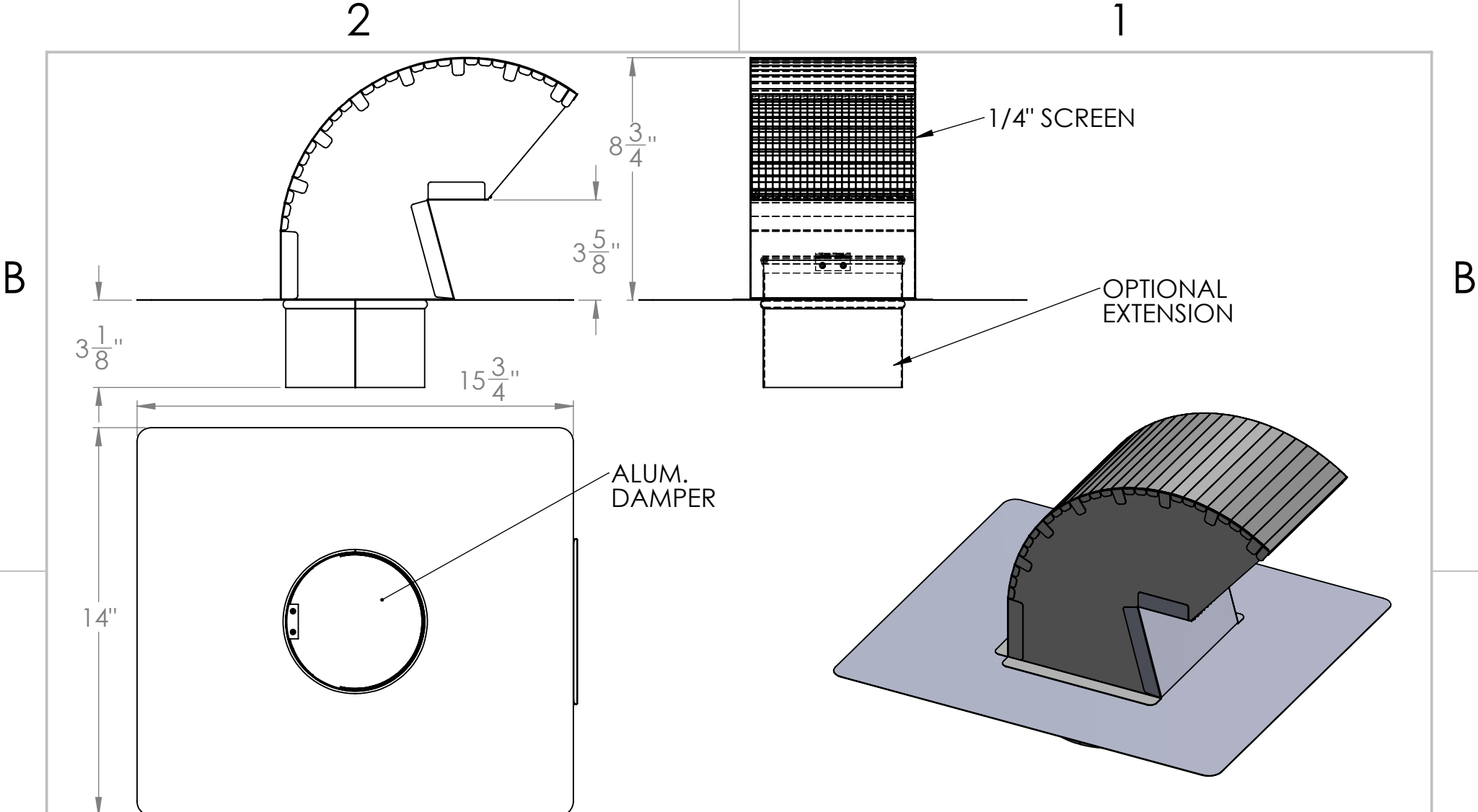
DO NOT SCALE DRAWING

	NAME	DATE
DRAWN	Alex Herrington	5/23/2019
CHECKED		
ENG APPR.	Alex Herrington	5/23/2019
MFG APPR.		
Q.A.		
COMMENTS:		

FAMCO 649 N RALSTIN ST. MERIDIAN, ID 83642		
TITLE:		
SIZE	DWG. NO.	REV
A	GN4X	
SCALE: 1:5	WEIGHT:	SHEET 1 OF 1

2

1



A

A



PROPRIETARY AND CONFIDENTIAL
 THE INFORMATION CONTAINED IN THIS DRAWING IS THE SOLE PROPERTY OF FAMCO. ANY REPRODUCTION IN PART OR AS A WHOLE WITHOUT THE WRITTEN PERMISSION OF FAMCO IS PROHIBITED.

NEXT ASSY	USED ON
APPLICATION	

UNLESS OTHERWISE SPECIFIED:
 DIMENSIONS ARE IN INCHES
 TOLERANCES:
 FRACTIONAL .125
 ANGLES 1°
 TWO PLACE DECIMAL .01
 THREE PLACE DECIMAL .005
 FOUR PLACE DECIMAL .001

INTERPRET GEOMETRIC TOLERANCING PER:
 MATERIAL 28GA GALV.

FINISH

DO NOT SCALE DRAWING

	NAME	DATE
DRAWN	Alex Herrington	5/23/2019
CHECKED		
ENG APPR.	Alex Herrington	5/23/2019
MFG APPR.		
Q.A.		
COMMENTS:		

FAMCO 649 N RALSTIN ST. MERIDIAN, ID 83642		
TITLE:		
SIZE	DWG. NO.	REV
A	GN5X	
SCALE: 1:5	WEIGHT:	SHEET 1 OF 1

2

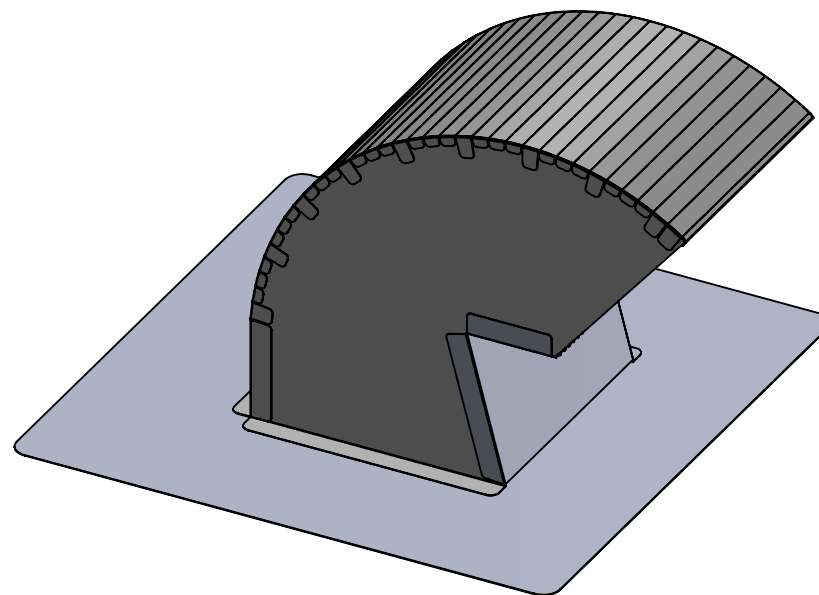
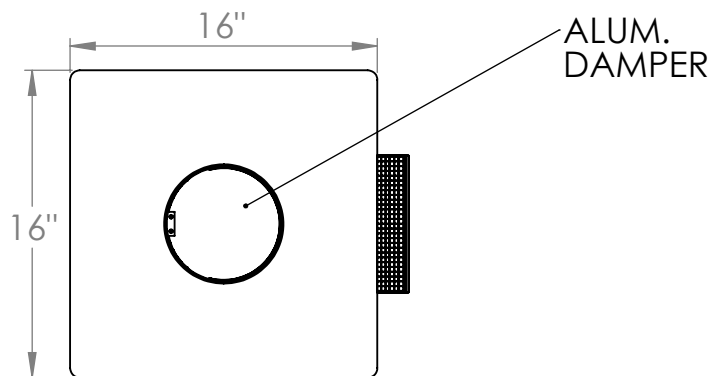
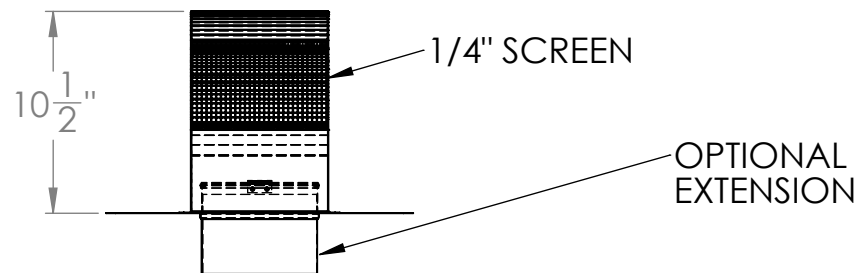
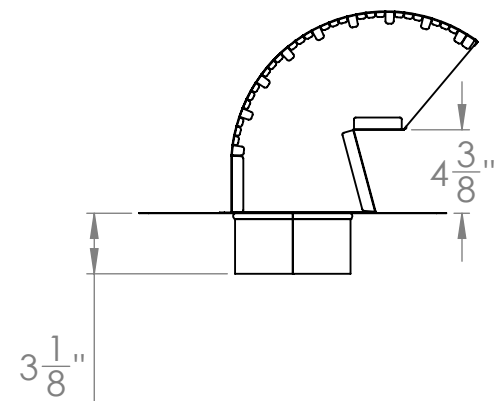
1

2

1

B

B



A

A



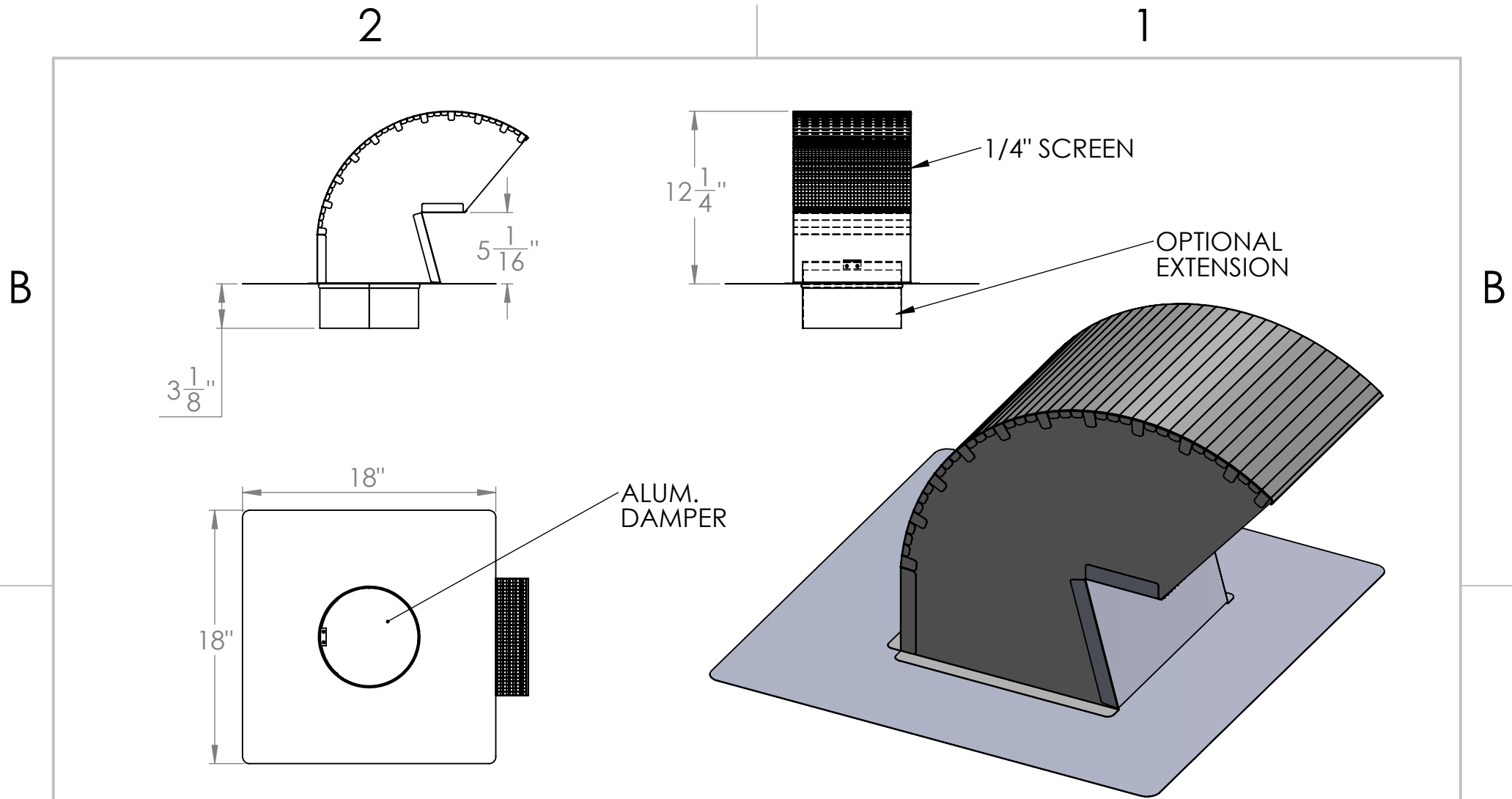
PROPRIETARY AND CONFIDENTIAL
THE INFORMATION CONTAINED IN THIS DRAWING IS THE SOLE PROPERTY OF FAMCO. ANY REPRODUCTION IN PART OR AS A WHOLE WITHOUT THE WRITTEN PERMISSION OF FAMCO IS PROHIBITED.


		UNLESS OTHERWISE SPECIFIED:		NAME	DATE
		DIMENSIONS ARE IN INCHES	DRAWN	Alex Herrington	5/23/2019
		TOLERANCES:	CHECKED		
		FRACTIONAL .125	ENG APPR.	Alex Herrington	5/23/2019
		ANGLES 1°	MFG APPR.		
		TWO PLACE DECIMAL .01	Q.A.		
		THREE PLACE DECIMAL .005	COMMENTS:		
		FOUR PLACE DECIMAL .001			
		INTERPRET GEOMETRIC TOLERANCING PER:			
		MATERIAL 28GA GALV.			
		FINISH			
NEXT ASSY	USED ON				
APPLICATION		DO NOT SCALE DRAWING			

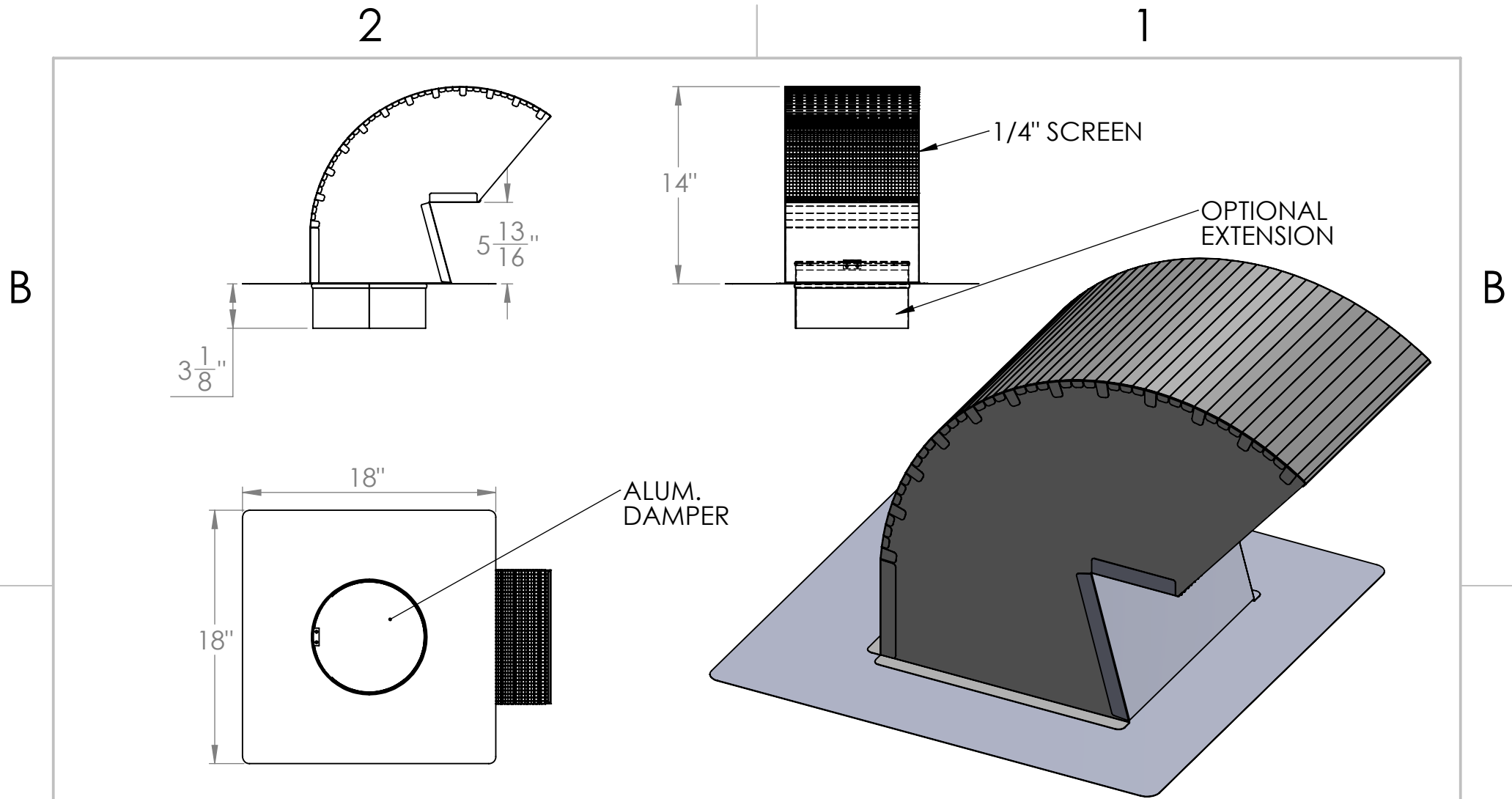
FAMCO 649 N RALSTIN ST. MERIDIAN, ID 83642		
TITLE:		
SIZE	DWG. NO.	REV
A	GN6X	
SCALE: 1:10	WEIGHT:	SHEET 1 OF 1


2

1



 <p>PROPRIETARY AND CONFIDENTIAL THE INFORMATION CONTAINED IN THIS DRAWING IS THE SOLE PROPERTY OF FAMCO. ANY REPRODUCTION IN PART OR AS A WHOLE WITHOUT THE WRITTEN PERMISSION OF FAMCO IS PROHIBITED.</p>			UNLESS OTHERWISE SPECIFIED: DIMENSIONS ARE IN INCHES TOLERANCES: FRACTIONAL .125 ANGLES 1° TWO PLACE DECIMAL .01 THREE PLACE DECIMAL .005 FOUR PLACE DECIMAL .001	DRAWN	Alex Herrington	5/23/2019	FAMCO 649 N RALSTIN ST. MERIDIAN, ID 83642	
			INTERPRET GEOMETRIC TOLERANCING PER:	CHECKED				TITLE:
			MATERIAL 28GA GALV.	ENG APPR.	Alex Herrington	5/23/2019	SIZE DWG. NO. REV A GN7X	
			FINISH	MFG APPR.				
		NEXT ASSY	USED ON	COMMENTS:	Q.A.			
	APPLICATION		DO NOT SCALE DRAWING					



 <p>PROPRIETARY AND CONFIDENTIAL THE INFORMATION CONTAINED IN THIS DRAWING IS THE SOLE PROPERTY OF FAMCO. ANY REPRODUCTION IN PART OR AS A WHOLE WITHOUT THE WRITTEN PERMISSION OF FAMCO IS PROHIBITED.</p>			UNLESS OTHERWISE SPECIFIED: DIMENSIONS ARE IN INCHES TOLERANCES: FRACTIONAL .125 ANGLES 1° TWO PLACE DECIMAL .01 THREE PLACE DECIMAL .005 FOUR PLACE DECIMAL .001	DRAWN	Alex Herrington	5/23/2019	<p>FAMCO 649 N RALSTIN ST. MERIDIAN, ID 83642</p> <p>TITLE:</p>		
			INTERPRET GEOMETRIC TOLERANCING PER:	CHECKED				<p>SIZE DWG. NO. REV A GN8X</p>	
			MATERIAL 28GA GALV.	ENG APPR.	Alex Herrington	5/23/2019			<p>SCALE: 1:10 WEIGHT: SHEET 1 OF 1</p>
			FINISH	MFG APPR.					
	NEXT ASSY	USED ON		Q.A.					
	APPLICATION	DO NOT SCALE DRAWING	COMMENTS:						