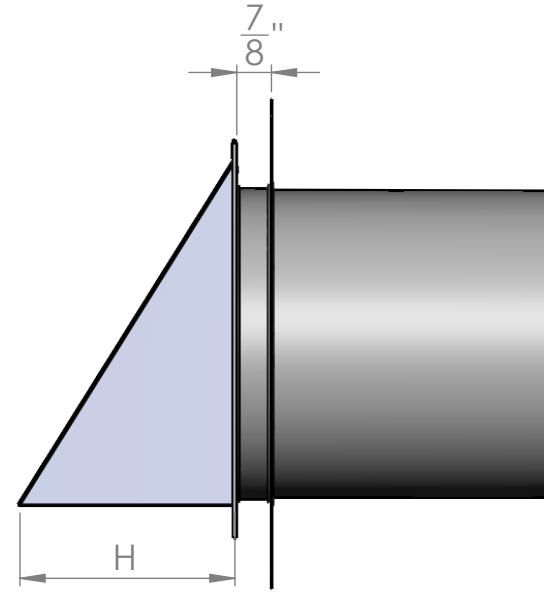
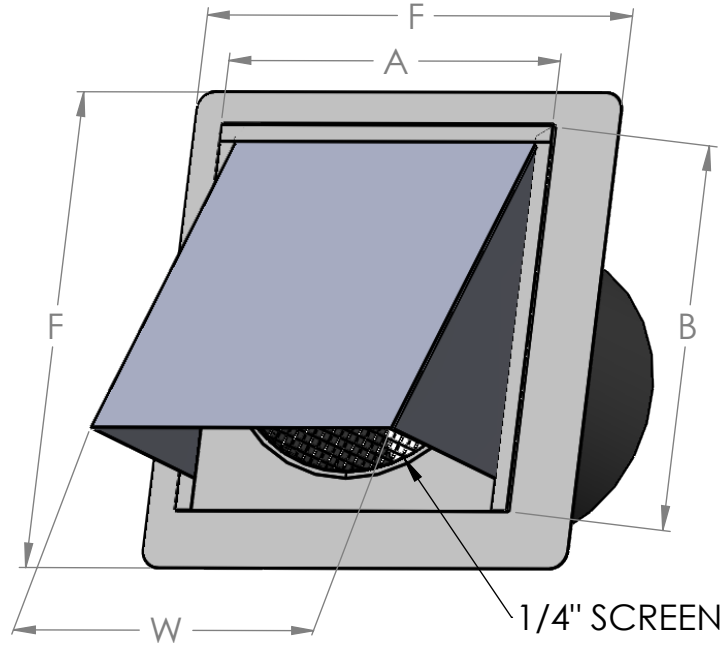


2

1

B



B

SIZE

F

H

A

B

W

4

 $8\ 3/4 \times 8\ 3/4$ $3\ 1/4$

6

 $6\ 7/16$

5

5

 $9\ 3/4 \times 9\ 3/4$ $3\ 3/4$

7

 $7\ 7/16$

6

6

 $10\ 3/4 \times 10\ 3/4$ $4\ 7/16$

8

 $8\ 7/16$

7

7

 $11\ 3/4 \times 11\ 3/4$ $4\ 15/16$

9

 $9\ 7/16$

8

8

 $12\ 3/4 \times 12\ 3/4$ $5\ 9/16$

10

 $10\ 3/8$

9

10

 $14\ 3/4 \times 14\ 3/4$ $6\ 7/8$

13

 $12\ 1/2$

12

A

2

1