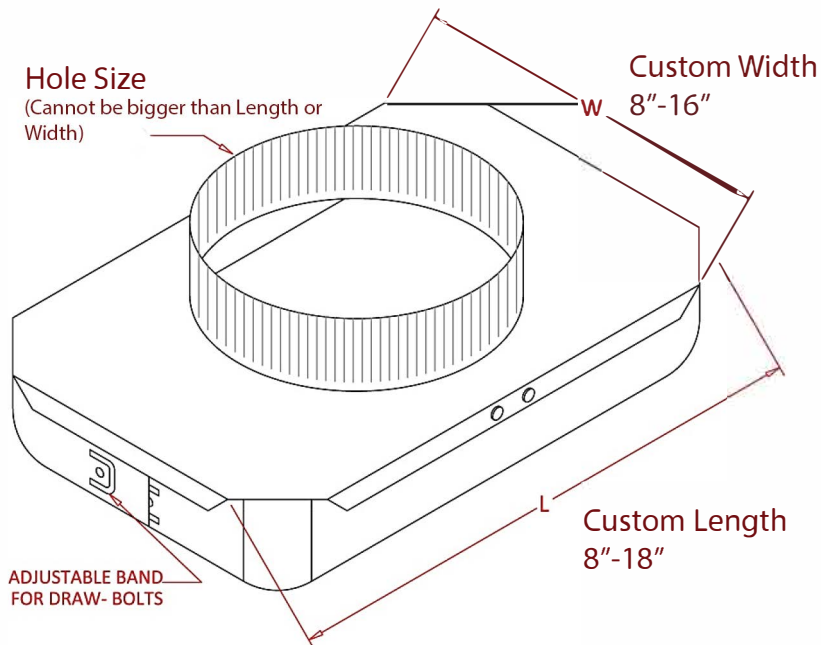


CHIMNEY CAPS



SQUARE TILE CAP ADAPTER- ATA__



- Available in galvanized and stainless steel
- Custom sizes available
- Equipped with draw bolts for easy installation
- Crimped for easy installation of chimney cap or roof vent

