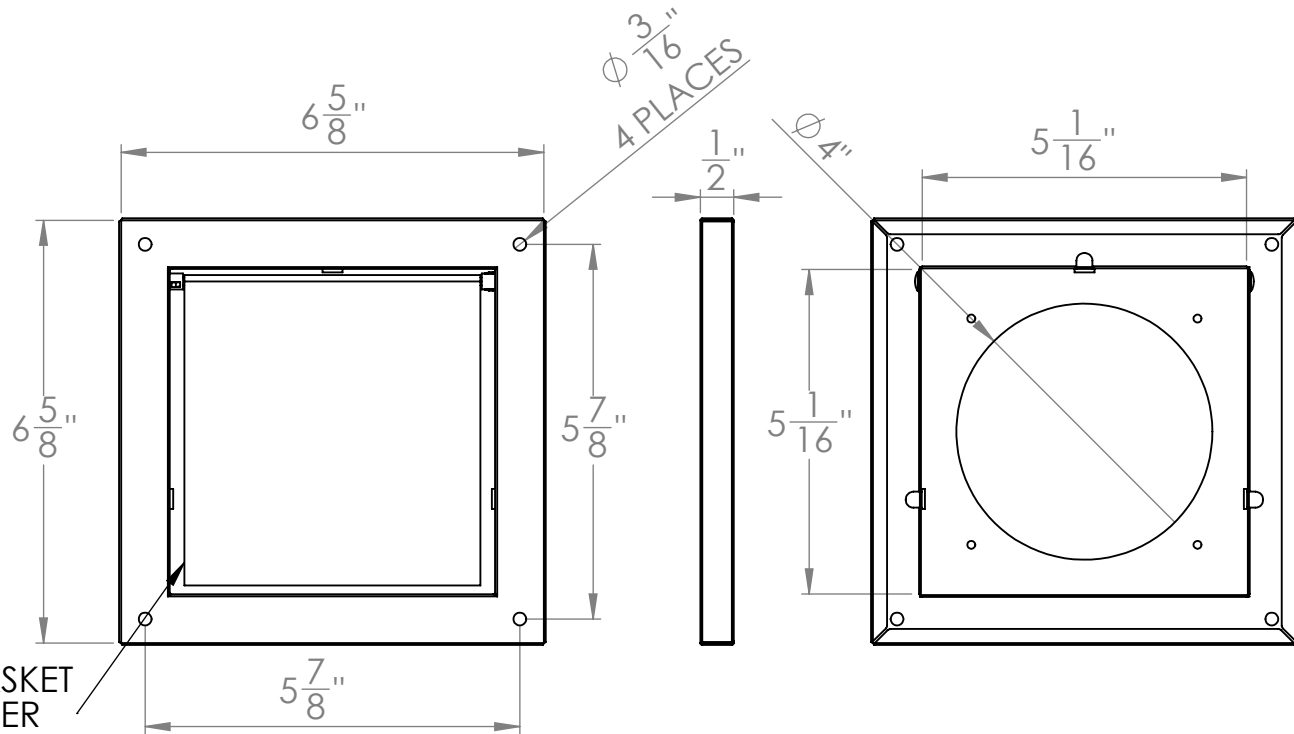
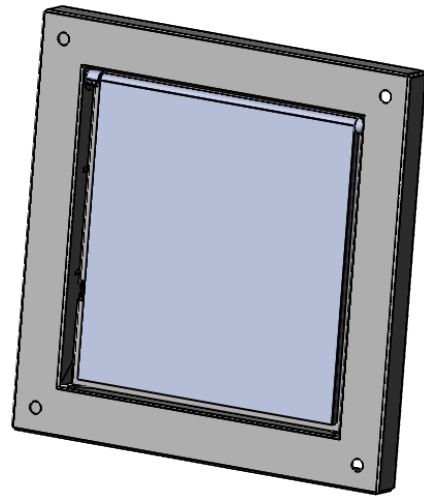


2

1

B

B



FOAM GASKET ON DAMPER

A

A



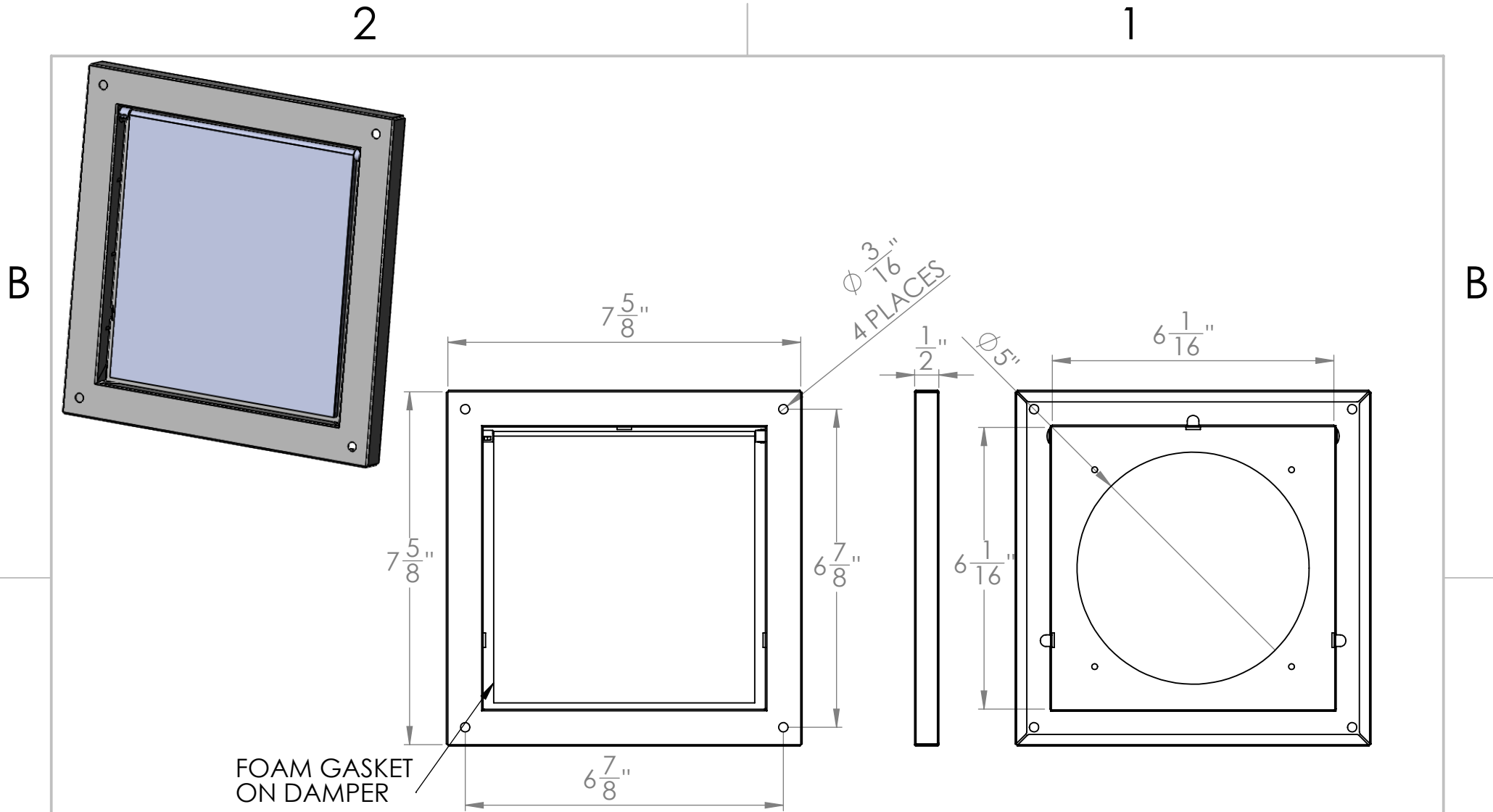
PROPRIETARY AND CONFIDENTIAL
THE INFORMATION CONTAINED IN THIS DRAWING IS THE SOLE PROPERTY OF FAMCO. ANY REPRODUCTION IN PART OR AS A WHOLE WITHOUT THE WRITTEN PERMISSION OF FAMCO IS PROHIBITED.

| | | | | |
|-------------|---------|--------------------------------------|-----------|-----------------|
| | | UNLESS OTHERWISE SPECIFIED: | NAME | DATE |
| | | DIMENSIONS ARE IN INCHES | DRAWN | Alex Herrington |
| | | TOLERANCES: | CHECKED | 4/2/2020 |
| | | FRACTIONAL ± .125 | ENG APPR. | Alex Herrington |
| | | ANGLES ± 1° | MFG APPR. | |
| | | TWO PLACE DECIMAL ± .01 | Q.A. | |
| | | THREE PLACE DECIMAL ± .005 | COMMENTS: | |
| | | FOUR PLACE DECIMAL ± .001 | | |
| | | INTERPRET GEOMETRIC TOLERANCING PER: | | |
| | | MATERIAL 26GA. | | |
| | | FINISH ZINC ALUM. | | |
| NEXT ASSY | USED ON | | | |
| APPLICATION | | DO NOT SCALE DRAWING | | |

| | | |
|---|-----------------|--------------|
| FAMCO 649 N RALSTIN ST. MERIDIAN, ID 83642 | | |
| TITLE: FWV4 | | |
| SIZE A | DWG. NO. FWV | REV |
| SCALE: 1:3 | WEIGHT: | SHEET 1 OF 3 |


2

1



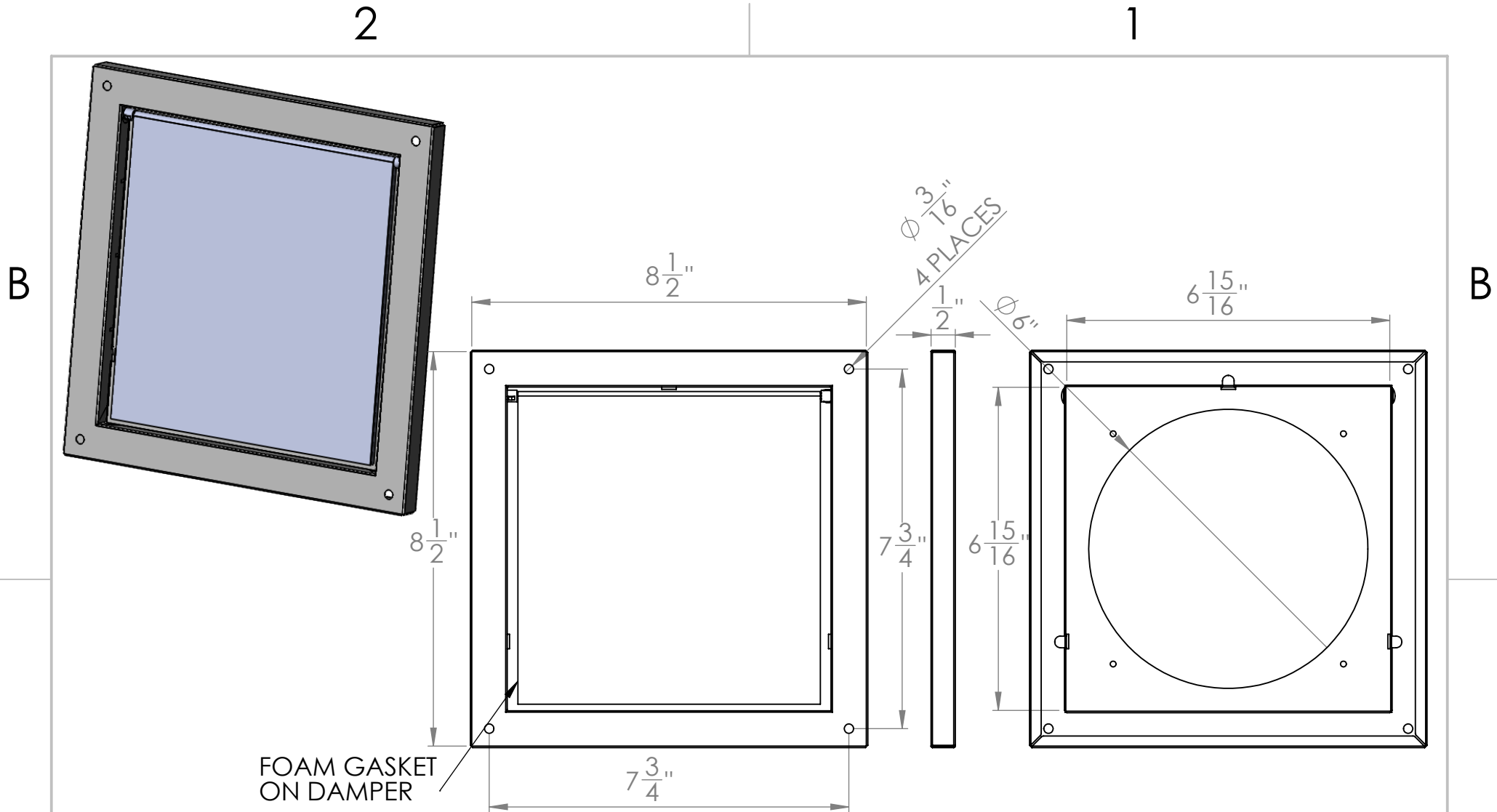
A

A

| | | | | | | | | |
|---|-----------|---------|--|-----------|-----------------|------------|---|--------------|
|  <p>PROPRIETARY AND CONFIDENTIAL THE INFORMATION CONTAINED IN THIS DRAWING IS THE SOLE PROPERTY OF FAMCO. ANY REPRODUCTION IN PART OR AS A WHOLE WITHOUT THE WRITTEN PERMISSION OF FAMCO IS PROHIBITED.</p> | | | UNLESS OTHERWISE SPECIFIED: DIMENSIONS ARE IN INCHES TOLERANCES: FRACTIONAL ± .125 ANGLES ± 1° TWO PLACE DECIMAL ± .01 THREE PLACE DECIMAL ± .005 FOUR PLACE DECIMAL ± .001 | DRAWN | Alex Herrington | 4/2/2020 | FAMCO 649 N RALSTIN ST. MERIDIAN, ID 83642 | |
| | | | INTERPRET GEOMETRIC TOLERANCING PER: | CHECKED | | | TITLE: | |
| | | | MATERIAL 26GA. | ENG APPR. | Alex Herrington | 4/2/2020 | FWV5 | |
| | | | FINISH ZINC ALUM. | MFG APPR. | | | SIZE DWG. NO. REV | |
| | NEXT ASSY | USED ON | | COMMENTS: | | | A | FWV |
| APPLICATION | | | DO NOT SCALE DRAWING | | | SCALE: 1:3 | WEIGHT: | SHEET 2 OF 3 |

2

1



PROPRIETARY AND CONFIDENTIAL
 THE INFORMATION CONTAINED IN THIS DRAWING IS THE SOLE PROPERTY OF FAMCO. ANY REPRODUCTION IN PART OR AS A WHOLE WITHOUT THE WRITTEN PERMISSION OF FAMCO IS PROHIBITED.

| | | | | | |
|-------------|---------|--------------------------------------|-----------|-----------------|----------|
| | | UNLESS OTHERWISE SPECIFIED: | | NAME | DATE |
| | | DIMENSIONS ARE IN INCHES | DRAWN | Alex Herrington | 4/2/2020 |
| | | TOLERANCES: | CHECKED | | |
| | | FRACTIONAL $\pm .125$ | ENG APPR. | Alex Herrington | 4/2/2020 |
| | | ANGLES $\pm 1^\circ$ | MFG APPR. | | |
| | | TWO PLACE DECIMAL $\pm .01$ | Q.A. | | |
| | | THREE PLACE DECIMAL $\pm .005$ | COMMENTS: | | |
| | | FOUR PLACE DECIMAL $\pm .001$ | | | |
| | | INTERPRET GEOMETRIC TOLERANCING PER: | | | |
| | | MATERIAL 26GA. | | | |
| | | FINISH ZINC ALUM. | | | |
| NEXT ASSY | USED ON | | | | |
| APPLICATION | | DO NOT SCALE DRAWING | | | |

| | | |
|---|-----------------|--------------|
| FAMCO 649 N RALSTIN ST. MERIDIAN, ID 83642 | | |
| TITLE: FWV6 | | |
| SIZE A | DWG. NO. FWV | REV |
| SCALE: 1:3 | WEIGHT: | SHEET 3 OF 3 |

A

A

2

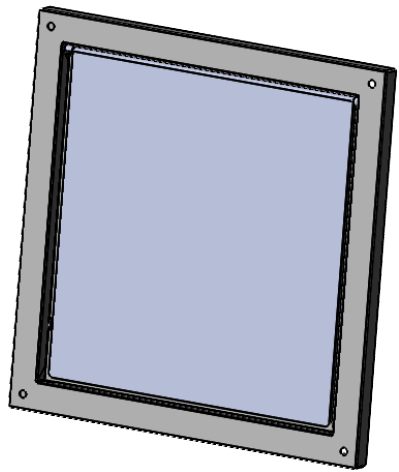
1

2

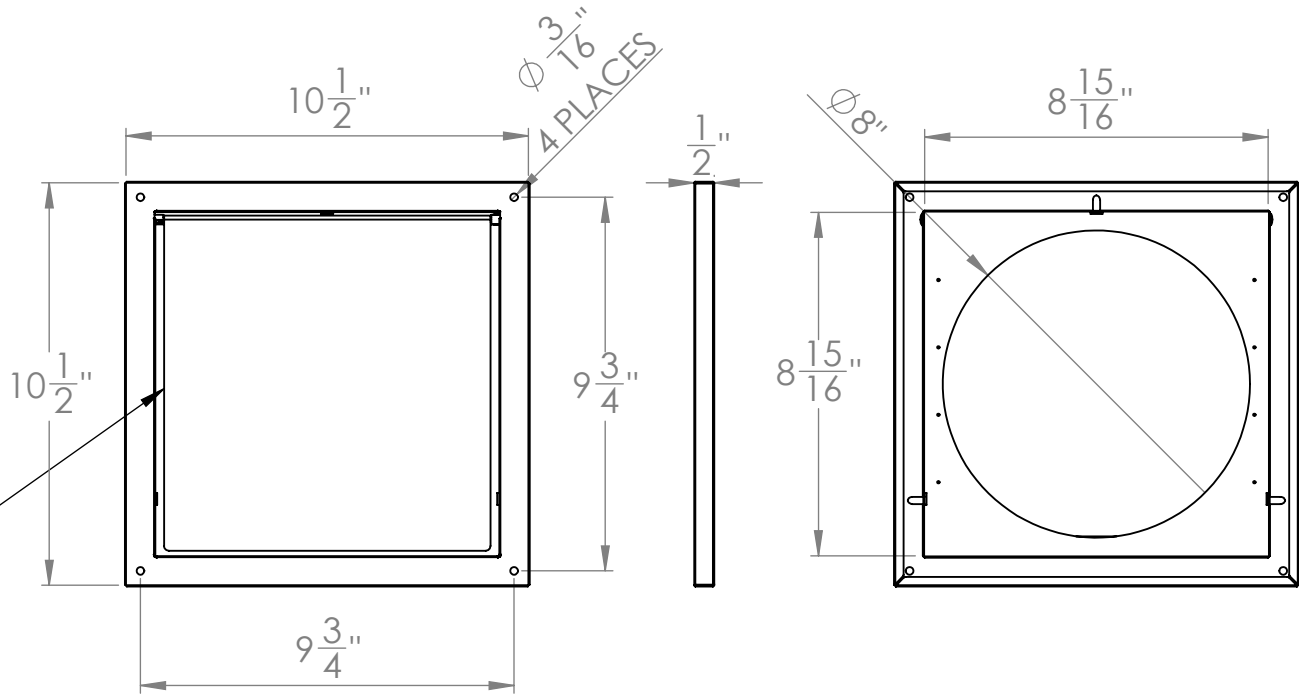
1

B

B



FOAM GASKET ON DAMPER



A

A



PROPRIETARY AND CONFIDENTIAL

THE INFORMATION CONTAINED IN THIS DRAWING IS THE SOLE PROPERTY OF FAMCO. ANY REPRODUCTION IN PART OR AS A WHOLE WITHOUT THE WRITTEN PERMISSION OF FAMCO IS PROHIBITED.

| | | | | | |
|-------------|---------|--------------------------------------|-----------|-----------------|----------|
| | | UNLESS OTHERWISE SPECIFIED: | | NAME | DATE |
| | | DIMENSIONS ARE IN INCHES | DRAWN | Alex Herrington | 4/2/2020 |
| | | TOLERANCES: | CHECKED | | |
| | | FRACTIONAL $\pm .125$ | ENG APPR. | Alex Herrington | 4/2/2020 |
| | | ANGLES $\pm 1^\circ$ | MFG APPR. | | |
| | | TWO PLACE DECIMAL $\pm .01$ | Q.A. | | |
| | | THREE PLACE DECIMAL $\pm .005$ | COMMENTS: | | |
| | | FOUR PLACE DECIMAL $\pm .001$ | | | |
| | | INTERPRET GEOMETRIC TOLERANCING PER: | | | |
| | | MATERIAL 26GA. | | | |
| | | FINISH ZINC ALUM. | | | |
| NEXT ASSY | USED ON | | | | |
| APPLICATION | | DO NOT SCALE DRAWING | | | |

| | | |
|--------------------------------------|----------|--------------|
| FAMCO | | |
| 649 N RALSTIN ST. MERIDIAN, ID 83642 | | |
| TITLE: | | |
| FWV8 | | |
| SIZE | DWG. NO. | REV |
| A | FWV | |
| SCALE: 1:5 | WEIGHT: | SHEET 4 OF 4 |

2

1