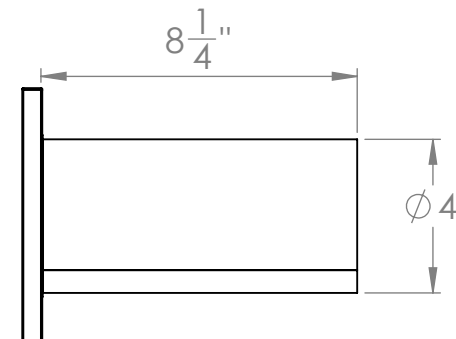
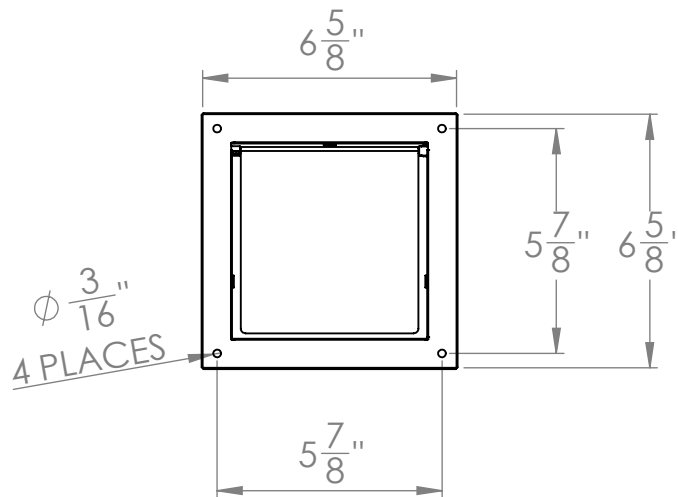
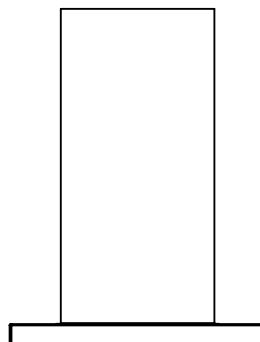
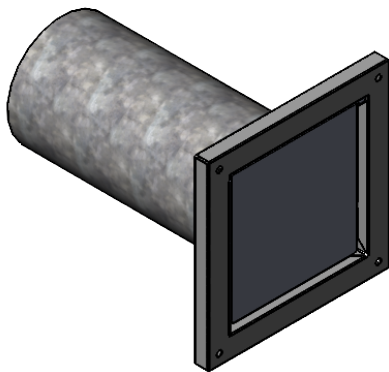


2

1




B

B

A

A

 PROPRIETARY AND CONFIDENTIAL THE INFORMATION CONTAINED IN THIS DRAWING IS THE SOLE PROPERTY OF FAMCO. ANY REPRODUCTION IN PART OR AS A WHOLE WITHOUT THE WRITTEN PERMISSION OF FAMCO IS PROHIBITED.			UNLESS OTHERWISE SPECIFIED: DIMENSIONS ARE IN INCHES TOLERANCES: FRACTIONAL $\pm .125$ ANGLES $\pm 1^\circ$ TWO PLACE DECIMAL $\pm .01$ THREE PLACE DECIMAL $\pm .005$ FOUR PLACE DECIMAL $\pm .001$	NAME	DATE	FAMCO 649 N RALSTIN ST. MERIDIAN, ID 83642		
			INTERPRET GEOMETRIC TOLERANCING PER:	DRAWN	Alex Herrington	9/18/2020	TITLE: FWV4-8.25	
			MATERIAL 26GA.	CHECKED				
	NEXT ASSY	USED ON	FINISH ZINC ALUM.	ENG APPR.	Alex Herrington	9/18/2020	SIZE A	DWG. NO. FWVE FWV LWV Spec
APPLICATION		DO NOT SCALE DRAWING	COMMENTS:			SCALE: 1:5	WEIGHT:	SHEET 1 OF 1

2

1