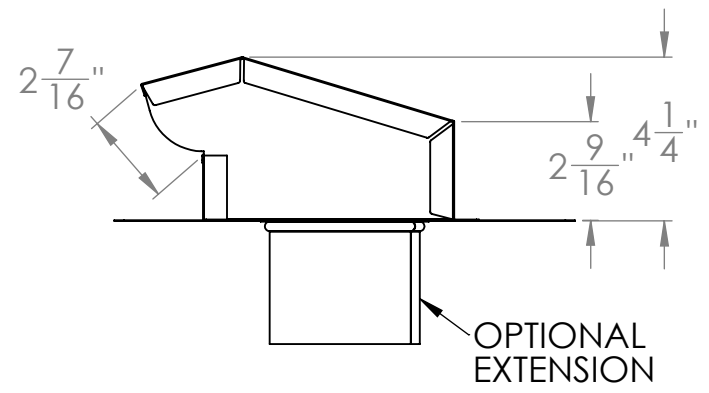
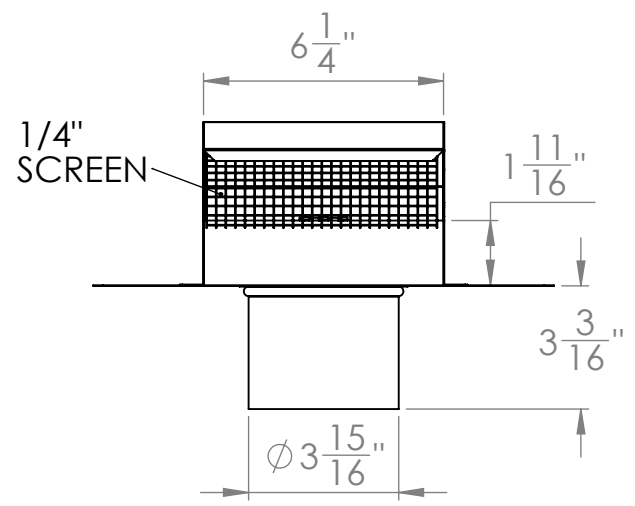
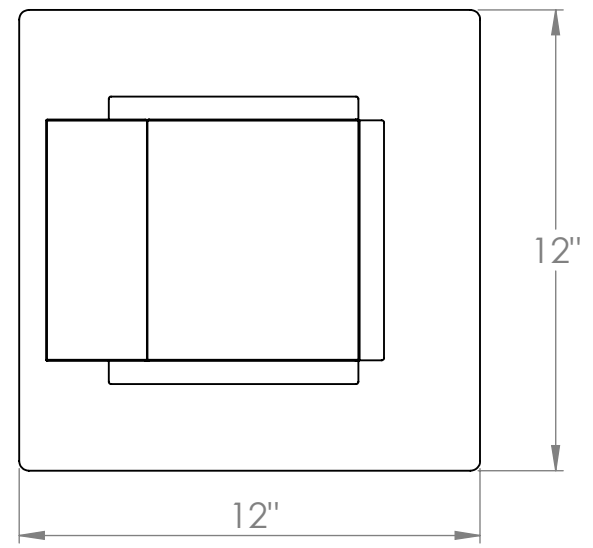
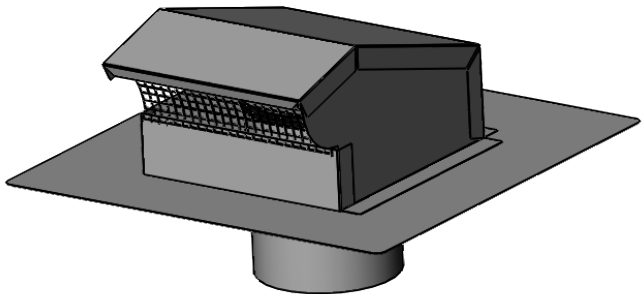


2

1

B

B



A

A



PROPRIETARY AND CONFIDENTIAL
THE INFORMATION CONTAINED IN THIS DRAWING IS THE SOLE PROPERTY OF FAMCO. ANY REPRODUCTION IN PART OR AS A WHOLE WITHOUT THE WRITTEN PERMISSION OF FAMCO IS PROHIBITED.

NEXT ASSY	USED ON	
APPLICATION		

UNLESS OTHERWISE SPECIFIED:
DIMENSIONS ARE IN INCHES
TOLERANCES:
FRACTIONAL ± .125
ANGLES ± 1°
TWO PLACE DECIMAL ± .01
THREE PLACE DECIMAL ± .005
FOUR PLACE DECIMAL ± .001

INTERPRET GEOMETRIC TOLERANCING PER:
MATERIAL 28 GA

FINISH

DO NOT SCALE DRAWING

	NAME	DATE
DRAWN	Alex Herrington	10/31/2019
CHECKED		
ENG APPR.	Alex Herrington	10/31/2019
MFG APPR.		
Q.A.		
COMMENTS:		

FAMCO 649 N RALSTIN ST. MERIDIAN, ID 83642		
TITLE: BK4X		
SIZE A	DWG. NO. BK	REV
SCALE: 1:5	WEIGHT:	SHEET 1 OF 9

2

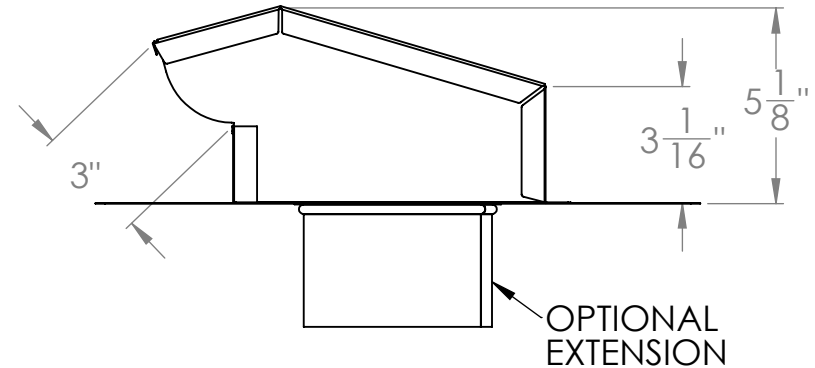
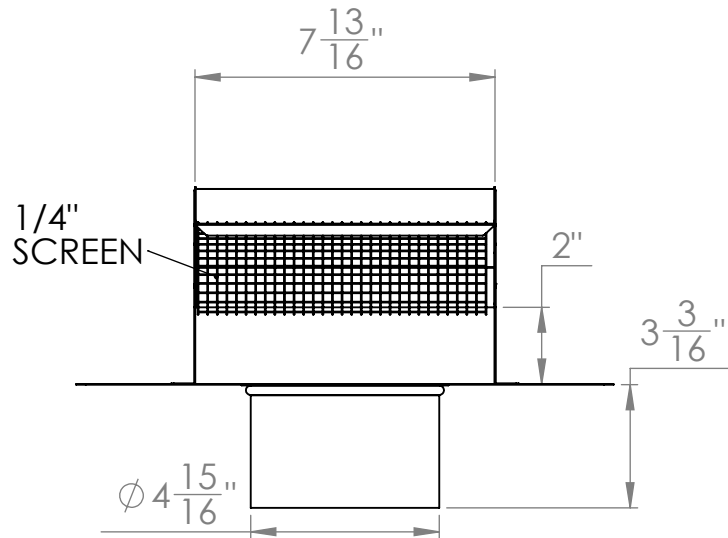
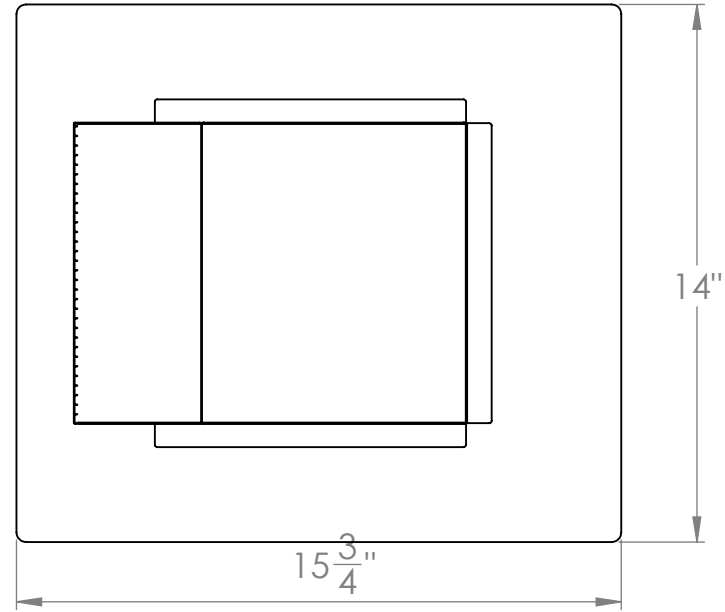
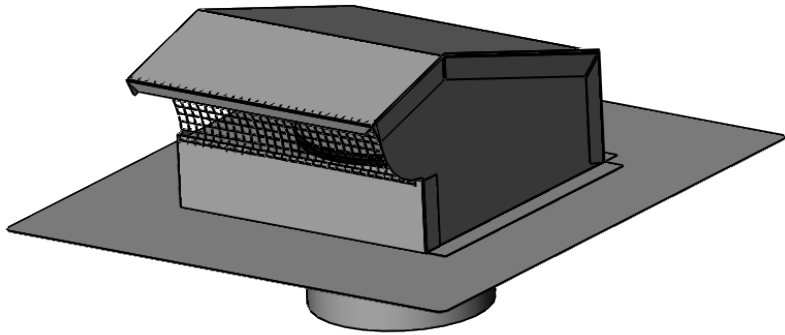
1

2

1

B

B



A

A



PROPRIETARY AND CONFIDENTIAL
THE INFORMATION CONTAINED IN THIS DRAWING IS THE SOLE PROPERTY OF FAMCO. ANY REPRODUCTION IN PART OR AS A WHOLE WITHOUT THE WRITTEN PERMISSION OF FAMCO IS PROHIBITED.

NEXT ASSY	USED ON	
APPLICATION		

UNLESS OTHERWISE SPECIFIED: DIMENSIONS ARE IN INCHES TOLERANCES: FRACTIONAL ± .125 ANGLES ± 1° TWO PLACE DECIMAL ± .01 THREE PLACE DECIMAL ± .005 FOUR PLACE DECIMAL ± .001
INTERPRET GEOMETRIC TOLERANCING PER: MATERIAL 28 GA
FINISH
DO NOT SCALE DRAWING

	NAME	DATE
DRAWN	Alex Herrington	10/31/2019
CHECKED		
ENG APPR.	Alex Herrington	10/31/2019
MFG APPR.		
Q.A.		
COMMENTS:		

FAMCO 649 N RALSTIN ST. MERIDIAN, ID 83642		
TITLE: BK5X		
SIZE A	DWG. NO. BK	REV
SCALE: 1:5	WEIGHT:	SHEET 3 OF 9

2

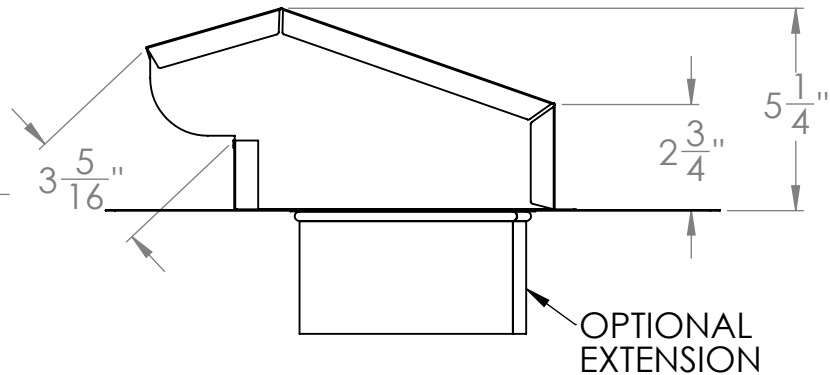
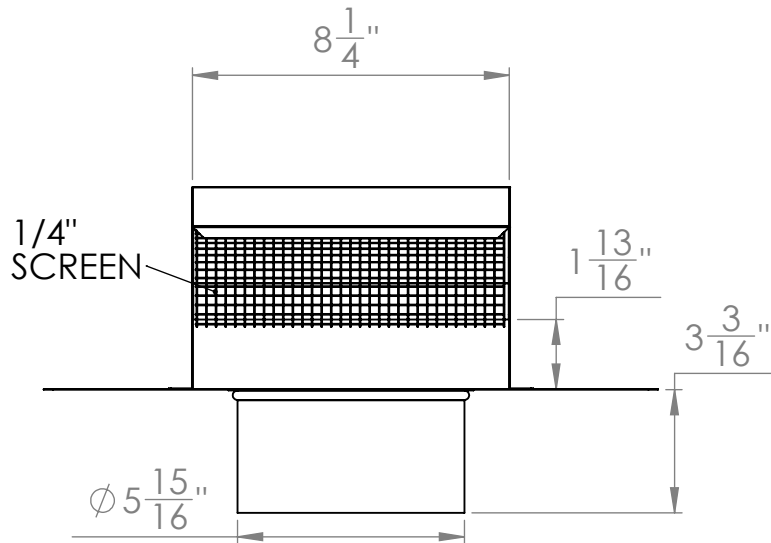
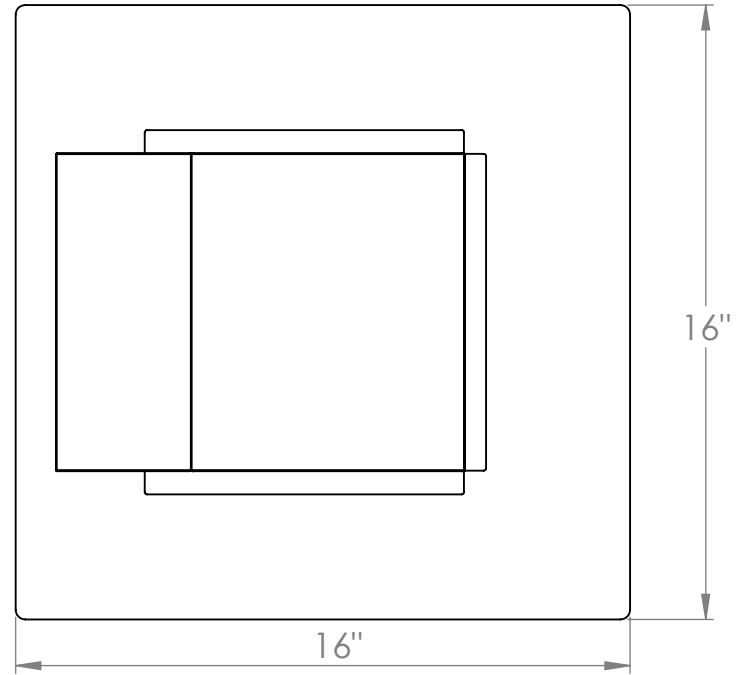
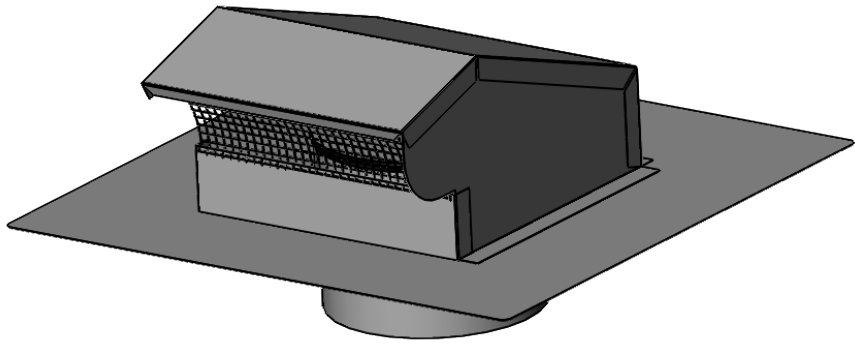
1

2

1

B

B



A

A



PROPRIETARY AND CONFIDENTIAL
 THE INFORMATION CONTAINED IN THIS DRAWING IS THE SOLE PROPERTY OF FAMCO. ANY REPRODUCTION IN PART OR AS A WHOLE WITHOUT THE WRITTEN PERMISSION OF FAMCO IS PROHIBITED.

NEXT ASSY	USED ON	
APPLICATION		

UNLESS OTHERWISE SPECIFIED:
 DIMENSIONS ARE IN INCHES
 TOLERANCES:
 FRACTIONAL ± .125
 ANGLES ± 1°
 TWO PLACE DECIMAL ± .01
 THREE PLACE DECIMAL ± .005
 FOUR PLACE DECIMAL ± .001

INTERPRET GEOMETRIC TOLERANCING PER:
 MATERIAL 28 GA

FINISH

DO NOT SCALE DRAWING

	NAME	DATE
DRAWN	Alex Herrington	10/31/2019
CHECKED		
ENG APPR.	Alex Herrington	10/31/2019
MFG APPR.		
Q.A.		
COMMENTS:		

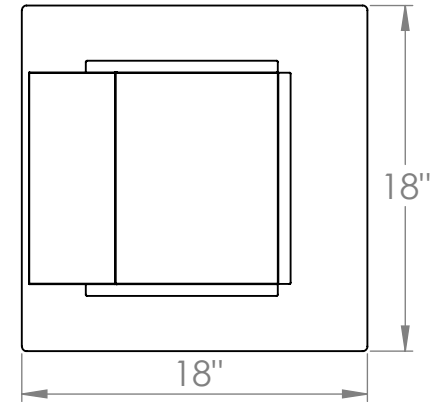
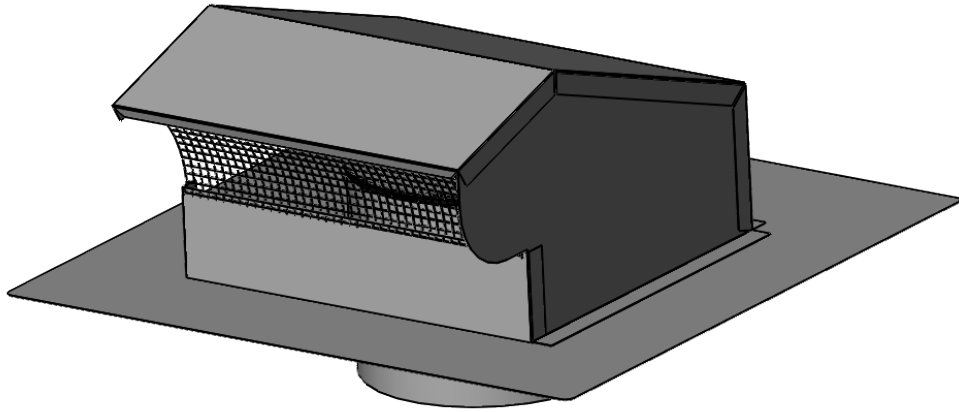
FAMCO 649 N RALSTIN ST. MERIDIAN, ID 83642		
TITLE: BK6X		
SIZE A	DWG. NO. BK	REV
SCALE: 1:5	WEIGHT:	SHEET 4 OF 9

2

1

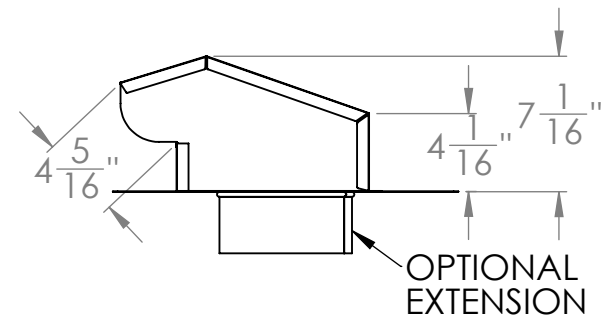
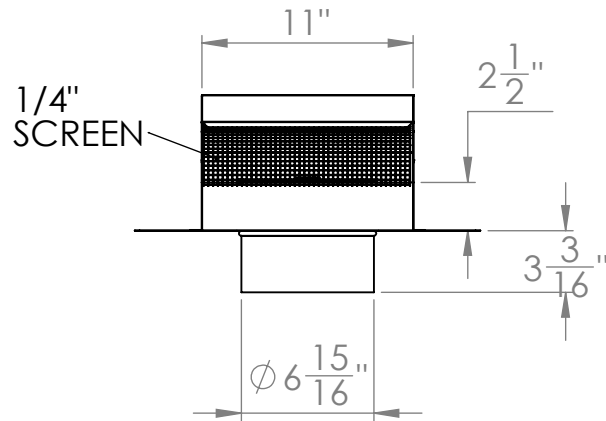
2

1




B

B



A

A

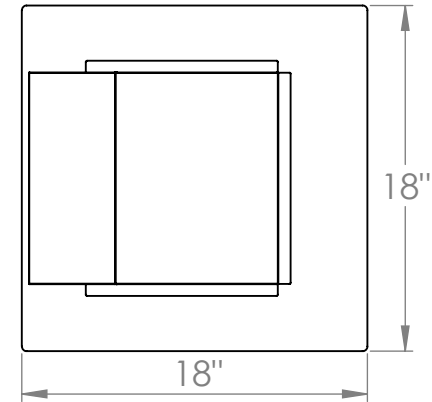
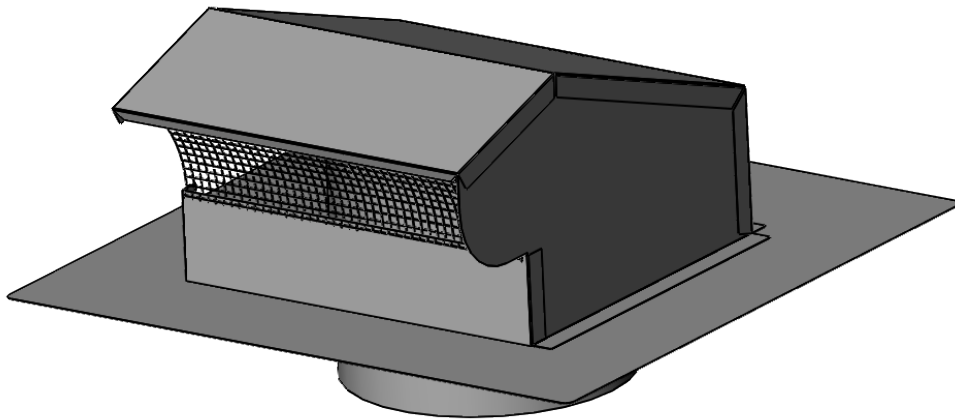
 <p>PROPRIETARY AND CONFIDENTIAL THE INFORMATION CONTAINED IN THIS DRAWING IS THE SOLE PROPERTY OF FAMCO. ANY REPRODUCTION IN PART OR AS A WHOLE WITHOUT THE WRITTEN PERMISSION OF FAMCO IS PROHIBITED.</p>			UNLESS OTHERWISE SPECIFIED: DIMENSIONS ARE IN INCHES TOLERANCES: FRACTIONAL ± .125 ANGLES ± 1° TWO PLACE DECIMAL ± .01 THREE PLACE DECIMAL ± .005 FOUR PLACE DECIMAL ± .001	NAME	DATE	FAMCO 649 N RALSTIN ST. MERIDIAN, ID 83642	
			INTERPRET GEOMETRIC TOLERANCING PER:	DRAWN	Alex Herrington	10/31/2019	TITLE: BK7X
			MATERIAL 28 GA	CHECKED			
			FINISH	ENG APPR.	Alex Herrington	10/31/2019	SIZE A DWG. NO. BK REV
	NEXT ASSY	USED ON		MFG APPR.			
APPLICATION			DO NOT SCALE DRAWING	Q.A.		SCALE: 1:10 WEIGHT:	SHEET 5 OF 9

2

1

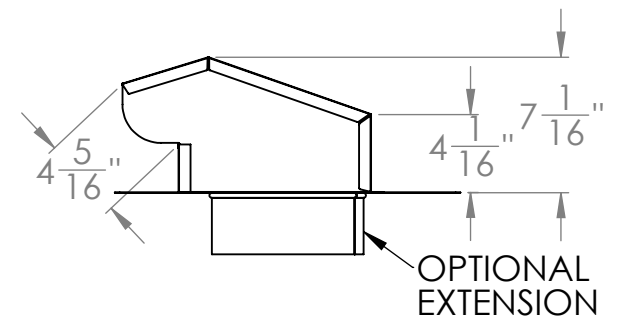
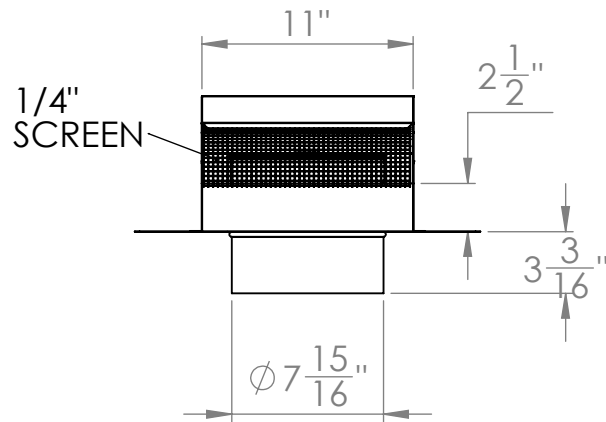
2

1




B

B



A

A

 <p>PROPRIETARY AND CONFIDENTIAL THE INFORMATION CONTAINED IN THIS DRAWING IS THE SOLE PROPERTY OF FAMCO. ANY REPRODUCTION IN PART OR AS A WHOLE WITHOUT THE WRITTEN PERMISSION OF FAMCO IS PROHIBITED.</p>			UNLESS OTHERWISE SPECIFIED: DIMENSIONS ARE IN INCHES TOLERANCES: FRACTIONAL ± .125 ANGLES ± 1° TWO PLACE DECIMAL ± .01 THREE PLACE DECIMAL ± .005 FOUR PLACE DECIMAL ± .001	DRAWN	Alex Herrington	10/31/2019	FAMCO 649 N RALSTIN ST. MERIDIAN, ID 83642	
			INTERPRET GEOMETRIC TOLERANCING PER:	CHECKED				TITLE:
			MATERIAL 28 GA	ENG APPR.	Alex Herrington	10/31/2019	BK8X	
	NEXT ASSY	USED ON	FINISH	MFG APPR.				
	APPLICATION		DO NOT SCALE DRAWING	Q.A.				
			COMMENTS:			SIZE	DWG. NO.	REV
						A	BK	
						SCALE: 1:10	WEIGHT:	SHEET 6 OF 9

2

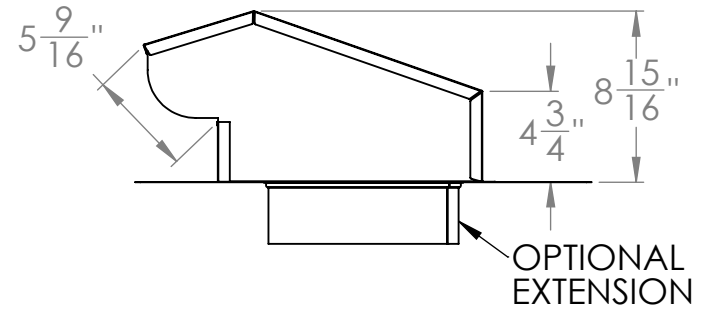
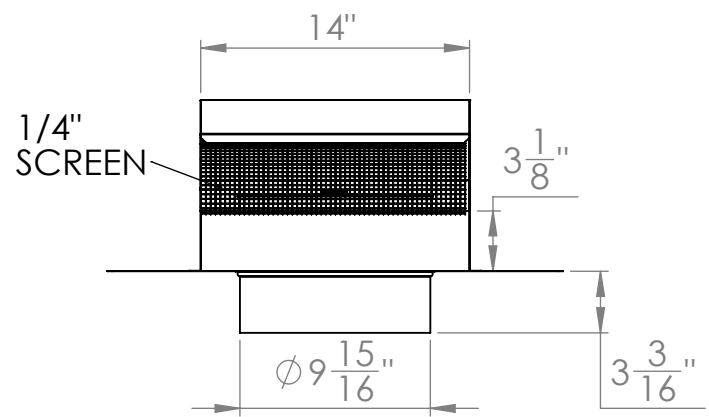
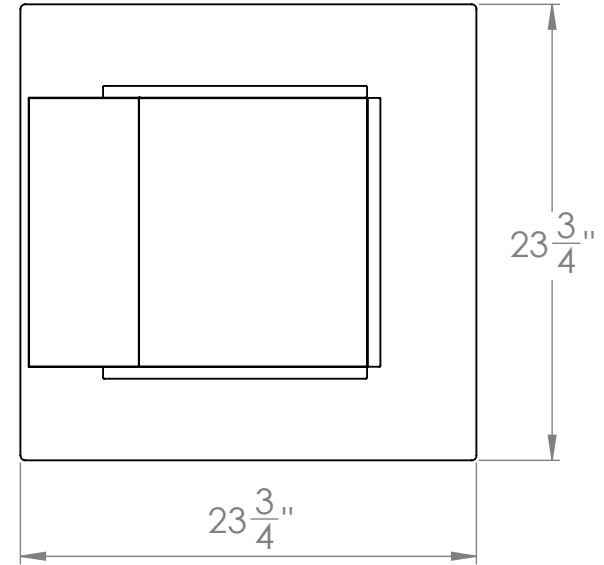
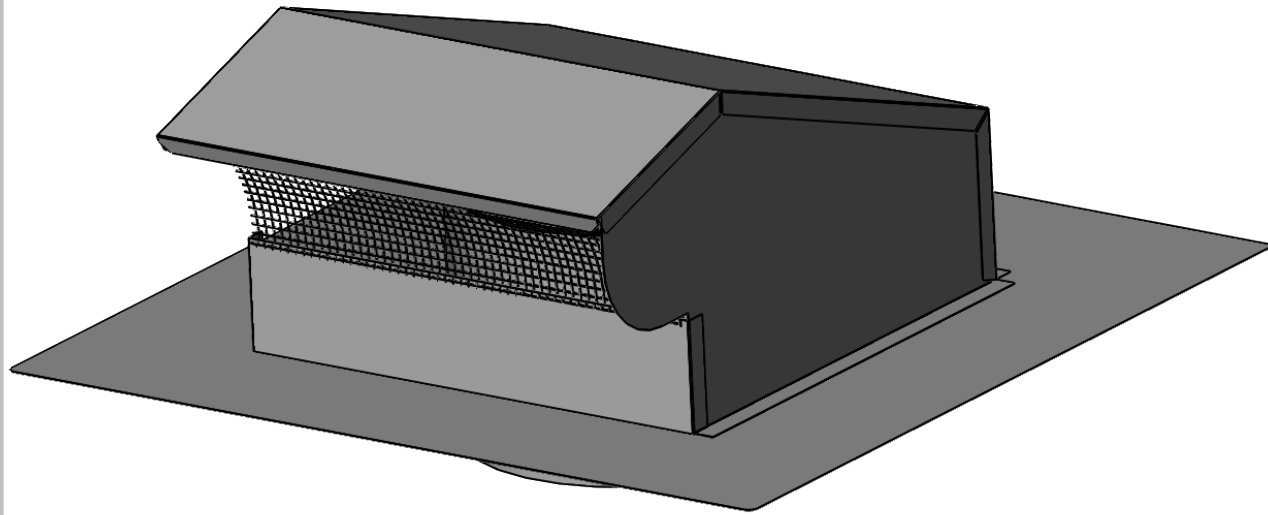
1

2

1

B

B



A

A



PROPRIETARY AND CONFIDENTIAL
THE INFORMATION CONTAINED IN THIS DRAWING IS THE SOLE PROPERTY OF FAMCO. ANY REPRODUCTION IN PART OR AS A WHOLE WITHOUT THE WRITTEN PERMISSION OF FAMCO IS PROHIBITED.

NEXT ASSY	USED ON	
APPLICATION		

UNLESS OTHERWISE SPECIFIED:
DIMENSIONS ARE IN INCHES
TOLERANCES:
FRACTIONAL ± .125
ANGLES ± 1°
TWO PLACE DECIMAL ± .01
THREE PLACE DECIMAL ± .005
FOUR PLACE DECIMAL ± .001

INTERPRET GEOMETRIC TOLERANCING PER:
MATERIAL 28 GA

FINISH

DO NOT SCALE DRAWING

	NAME	DATE
DRAWN	Alex Herrington	10/31/2019
CHECKED		
ENG APPR.	Alex Herrington	10/31/2019
MFG APPR.		
Q.A.		
COMMENTS:		

FAMCO 649 N RALSTIN ST. MERIDIAN, ID 83642		
TITLE: BK10X		
SIZE A	DWG. NO. BK	REV
SCALE: 1:10	WEIGHT:	SHEET 8 OF 9

2

1